

Assembly Instruction

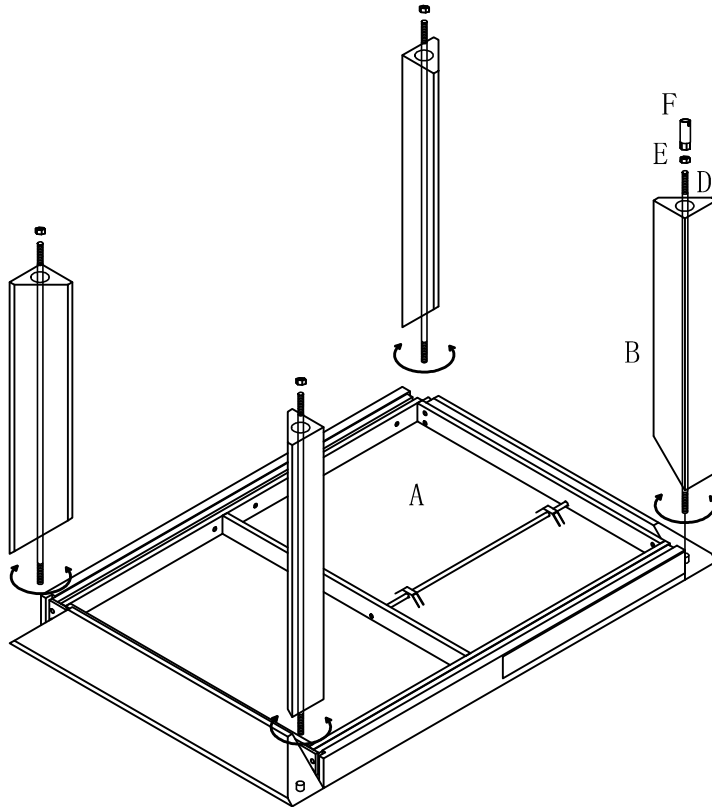


Do not remove this
screw

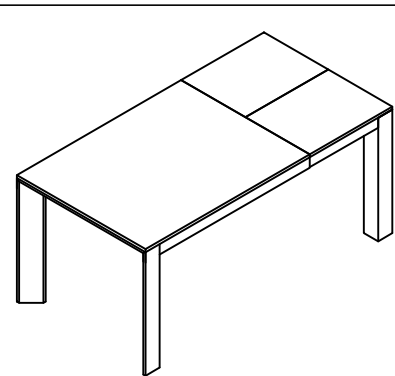
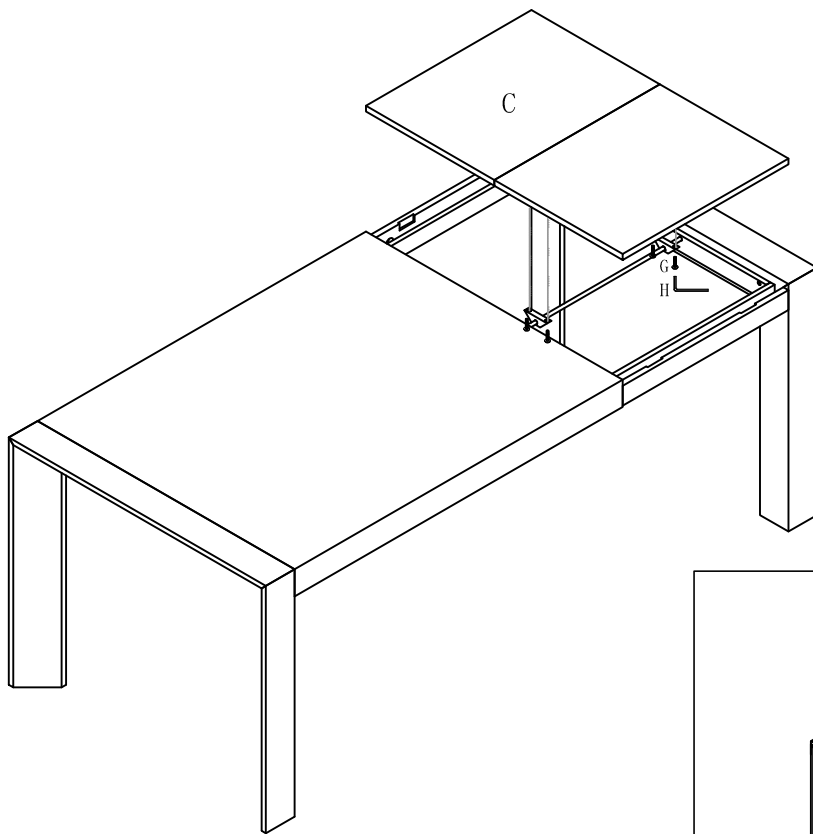


Autodesk



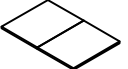




1



2



INSTALLATION DIAGRAM

	A=1PC 	B=4PCS 	C=1PC 	D=1PC 	E=4PCS 	F=1PC 
T039					G=4PCS 	H=1PC 