
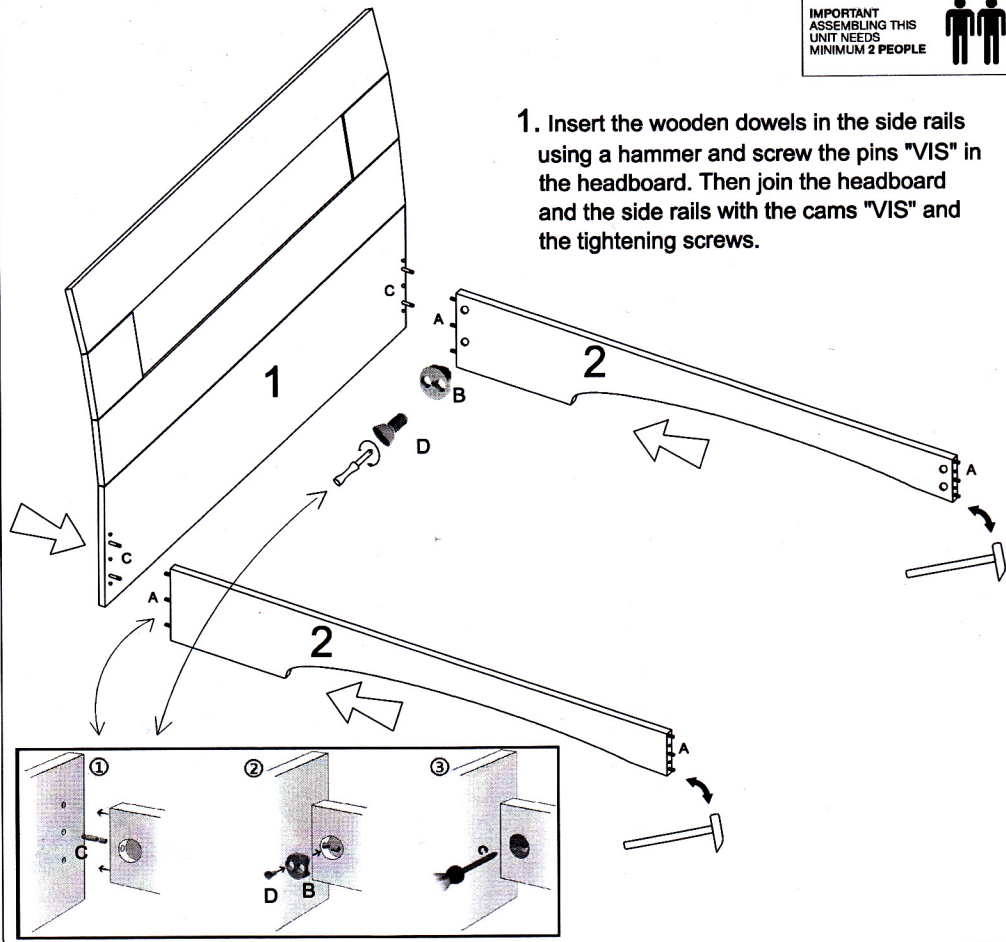


IMPORTANT
ASSEMBLING THIS
UNIT NEEDS
MINIMUM 2 PEOPLE



1. Insert the wooden dowels in the side rails using a hammer and screw the pins "VIS" in the headboard. Then join the headboard and the side rails with the cams "VIS" and the tightening screws.





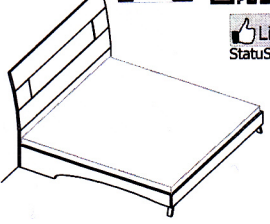


Legend

1	Headboard
2	Side Rails
3	Footboard

Fitting check - list


A		Wooden dowels
B		Cams "VIS"
C		Pins "VIS"
D		Tightening screws
E		Iron corner
F		Foot plate
G		Foot
H		Screws TBL 6M
I		Screws TBL for foot

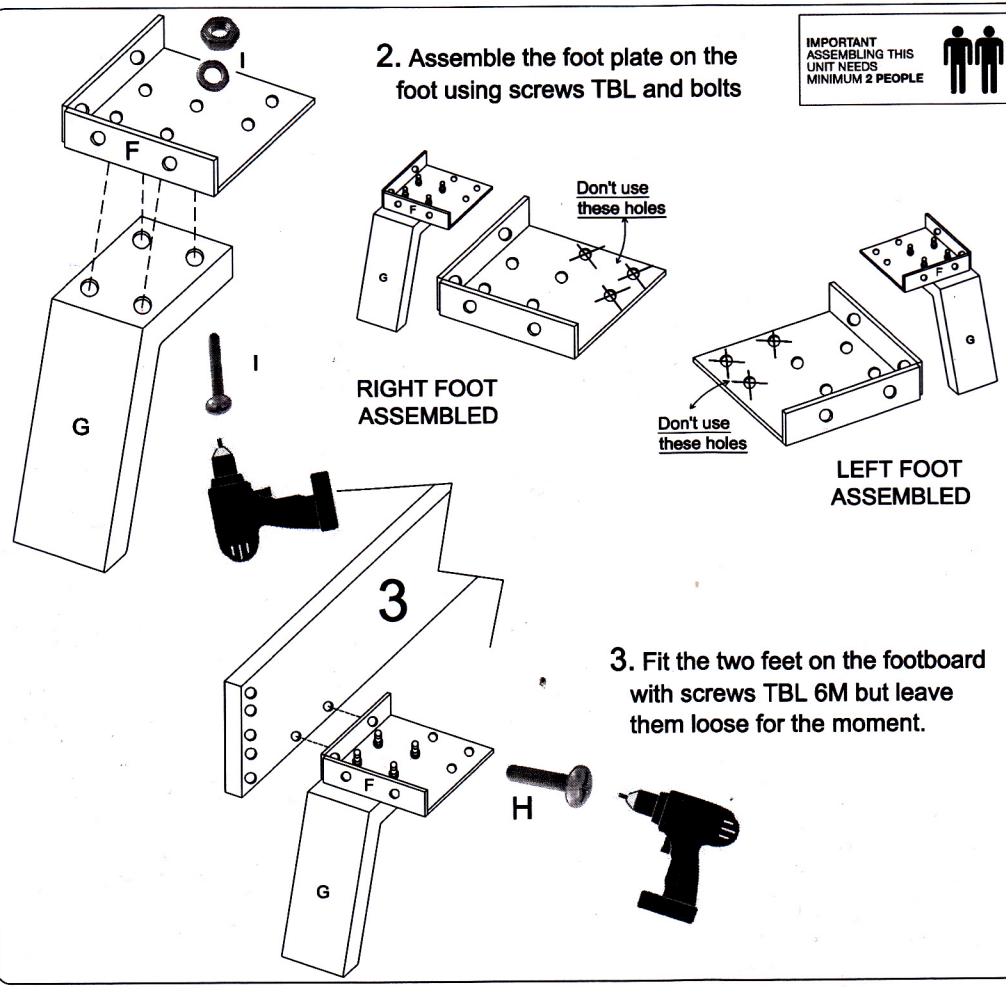
Tipologia	STAR Bedroom
Codice	STBBOLT01/04
Project	Bedroom

StatuS - Albina di Galarine (Italy) - www.statuSitaly.it
TEL +39 0434 75195 FAX +39 0434759553

IMPORTANT
ASSEMBLING THIS
UNIT NEEDS
MINIMUM 2 PEOPLE



2. Assemble the foot plate on the foot using screws TBL and bolts





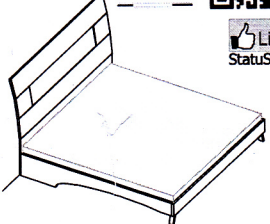


Legend

1	Headboard
2	Side Rails
3	Footboard

Fitting check - list

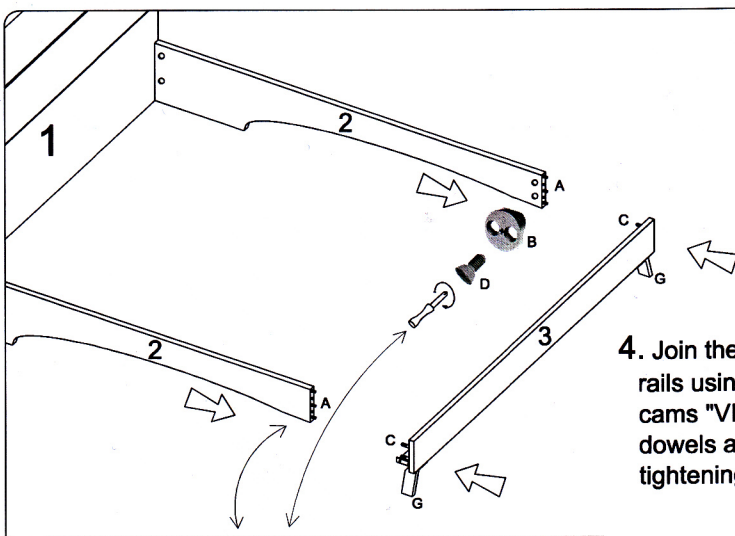
A		Wooden dowels
B		Cams "VIS"
C		Pins "VIS"
D		Tightening screws
E		Iron corner
F		Foot plate
G		Foot
H		Screws TBL 6M
I		Screws for foot

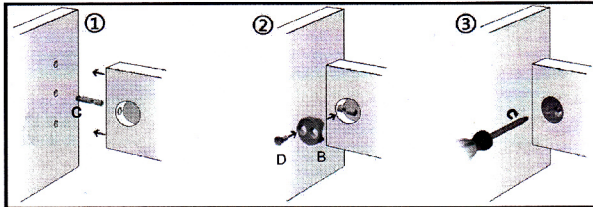
Tipologia	STAR Bedroom
Codice	STBBOLT01/04
Project	Bedroom

StatuS - Albina di Galarine (Italy) - www.statuSitaly.it
TEL +39 0434 75195 FAX +39 0434759553

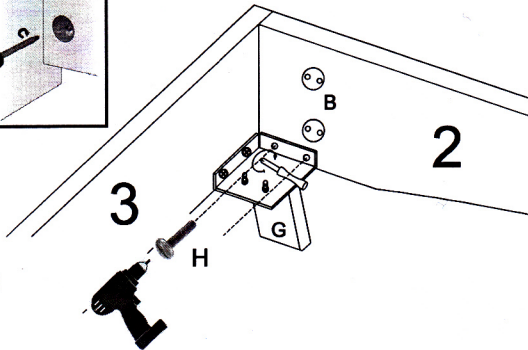
IMPORTANT
ASSEMBLING THIS
UNIT NEEDS
MINIMUM 2 PEOPLE



4. Join the footboard and the side rails using the pins "VIS", the cams "VIS" and the wooden dowels and block them using the tightening screws.



5. Fit the feet on the side rails using the screws TBL 6M and tighten the screws left loose at point 3

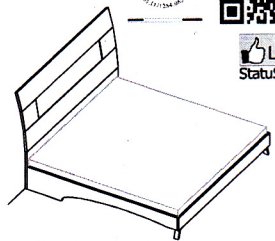


Legend

1	Headboard
2	Side Rails
3	Footboard

Fitting check - list

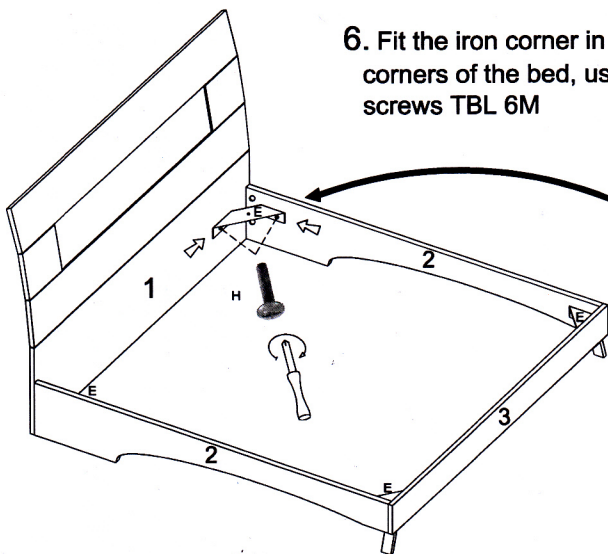
A		Wooden dowels
B		Cams "VIS"
C		Pins "VIS"
D		Tightening screws
E		Iron corner
F		Foot plate
G		Foot
H		Screws TBL 6M
I		Screws TBL for foot



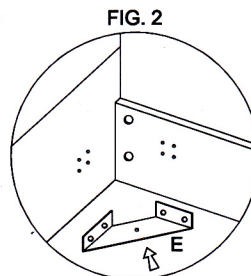
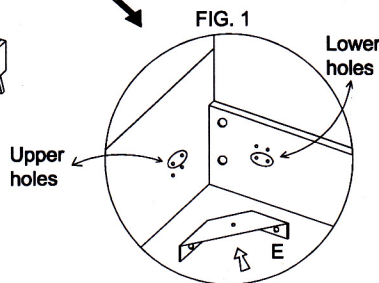
Tipologia	STAR Bedroom
Codice	STBBOLT01/04
Project	Bedroom

Status - Albina di Galarine (Italy) - www.statusitaly.it
TEL +39 0434 75195 FAX +39 0434759553

IMPORTANT
ASSEMBLING THIS
UNIT NEEDS
MINIMUM 2 PEOPLE



6. Fit the iron corner in all four corners of the bed, using the screws TBL 6M



ATTENTION:

The iron corner could be fitted in 4 different positions depending on the desired height:
- 1° Choose the position of the iron corner (FIG. 1 or FIG. 2)
- 2° Choose the upper holes or the lower holes

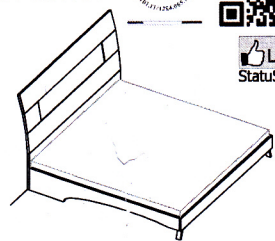
CONTINUE TO
NEXT PAGE

Legend

1	Headboard
2	Side Rails
3	Footboard

Fittings check - list

A		Wooden dowels
B		Cams "VIS"
C		Pins "VIS"
D		Tightening screws
E		Iron corner
F		Foot plate
G		Foot
H		Screws TBL 6M
I		Screws TBL for foot

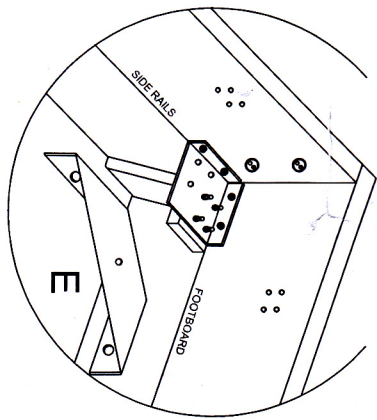


Tipologia	STAR Bedroom
Codice	STBBOLT01/04
Project	Bedroom

Status - Albina di Galarine (Italy) - www.statusitaly.it
TEL +39 0434 75195 FAX +39 0434759553

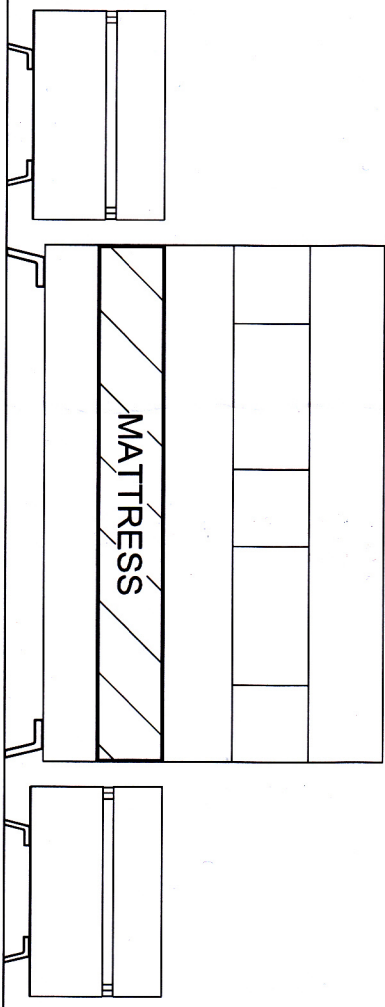
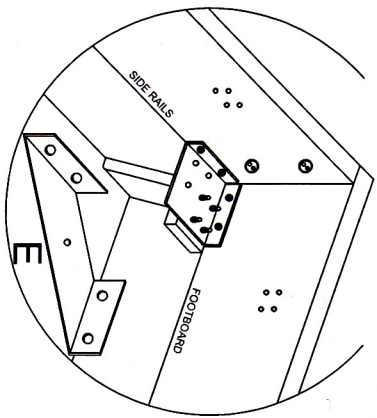
POSITION N°1 IRON CORNER

FIG. 1



POSITION N°2 IRON CORNER

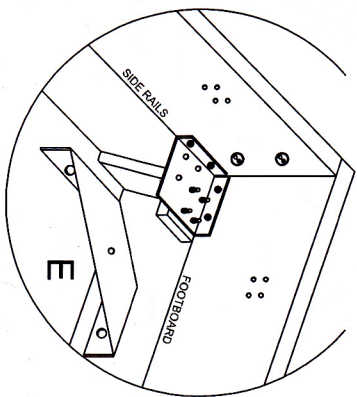
FIG. 2



The mattress should be placed at the same height as the height of the night tables. To do this assemble the four iron corner (E) according to the thickness of your mattress

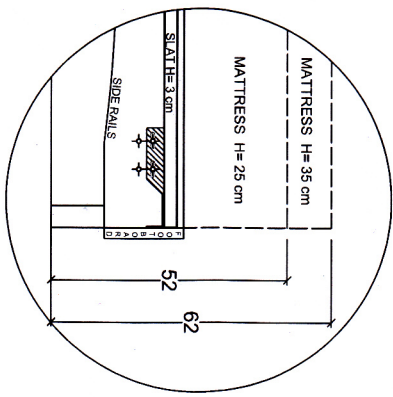
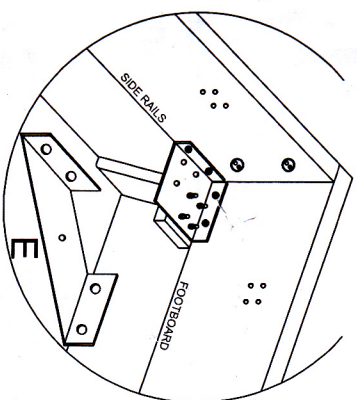
POSITION N°1 IRON CORNER

FIG. 1

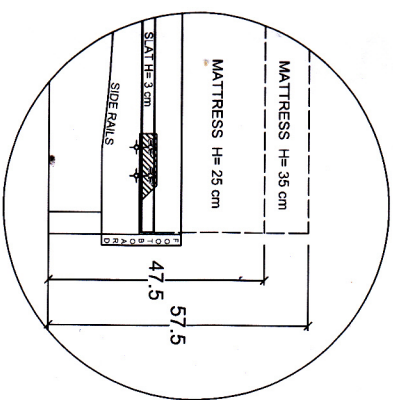


POSITION N°2 IRON CORNER

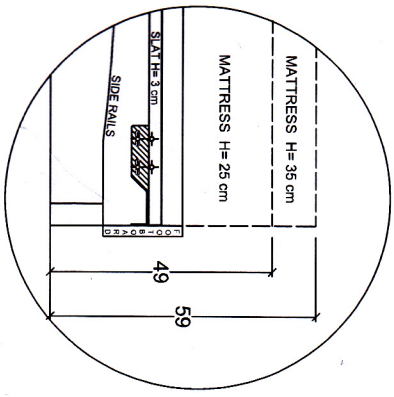
FIG. 2



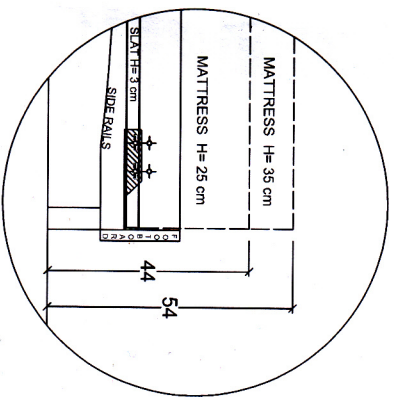
UPPER HOLE



UPPER HOLE



LOWER HOLE



LOWER HOLE