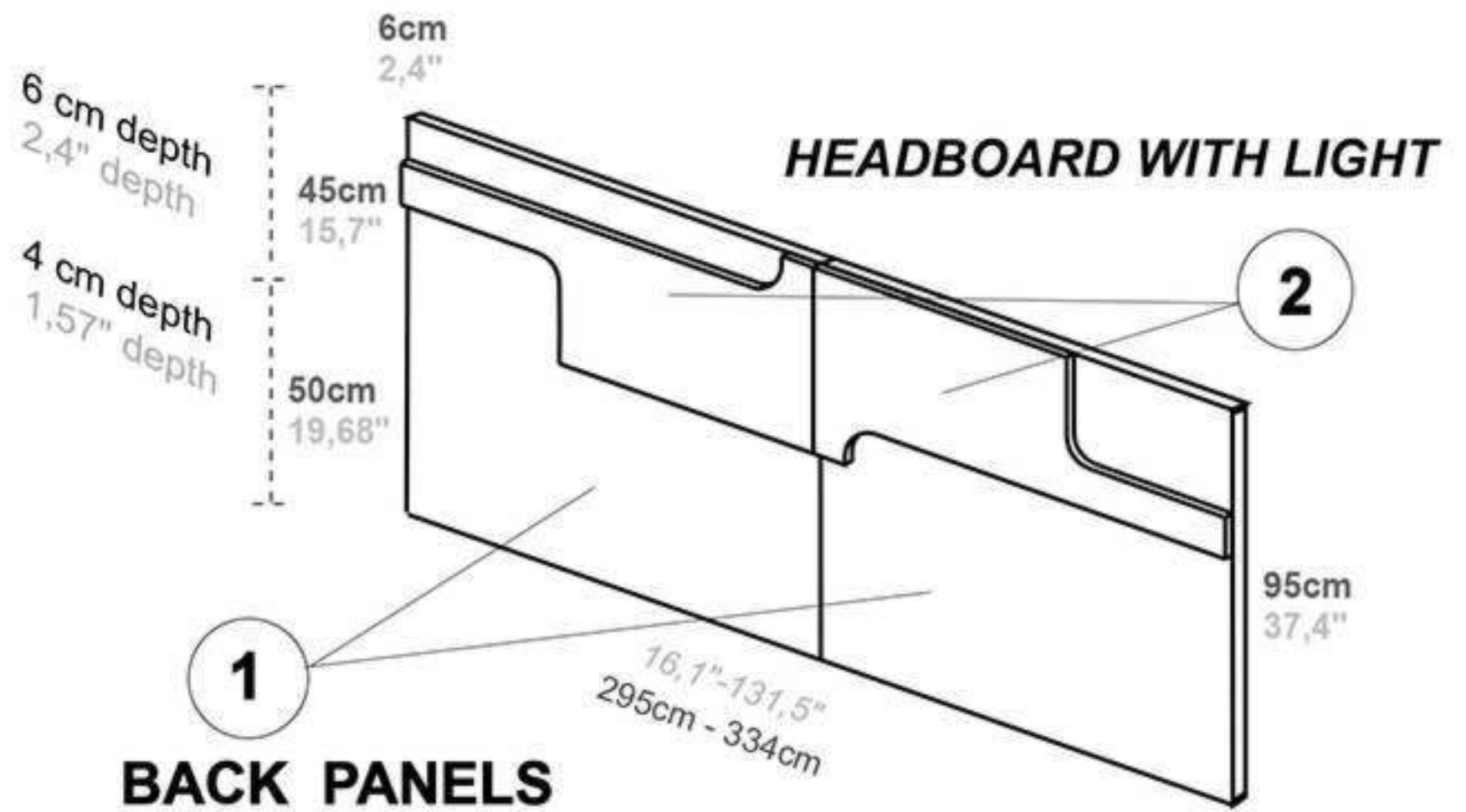


**FACES**

WHITE GLOSSY LACQUERED

WHITE GLOSSY LACQUERED

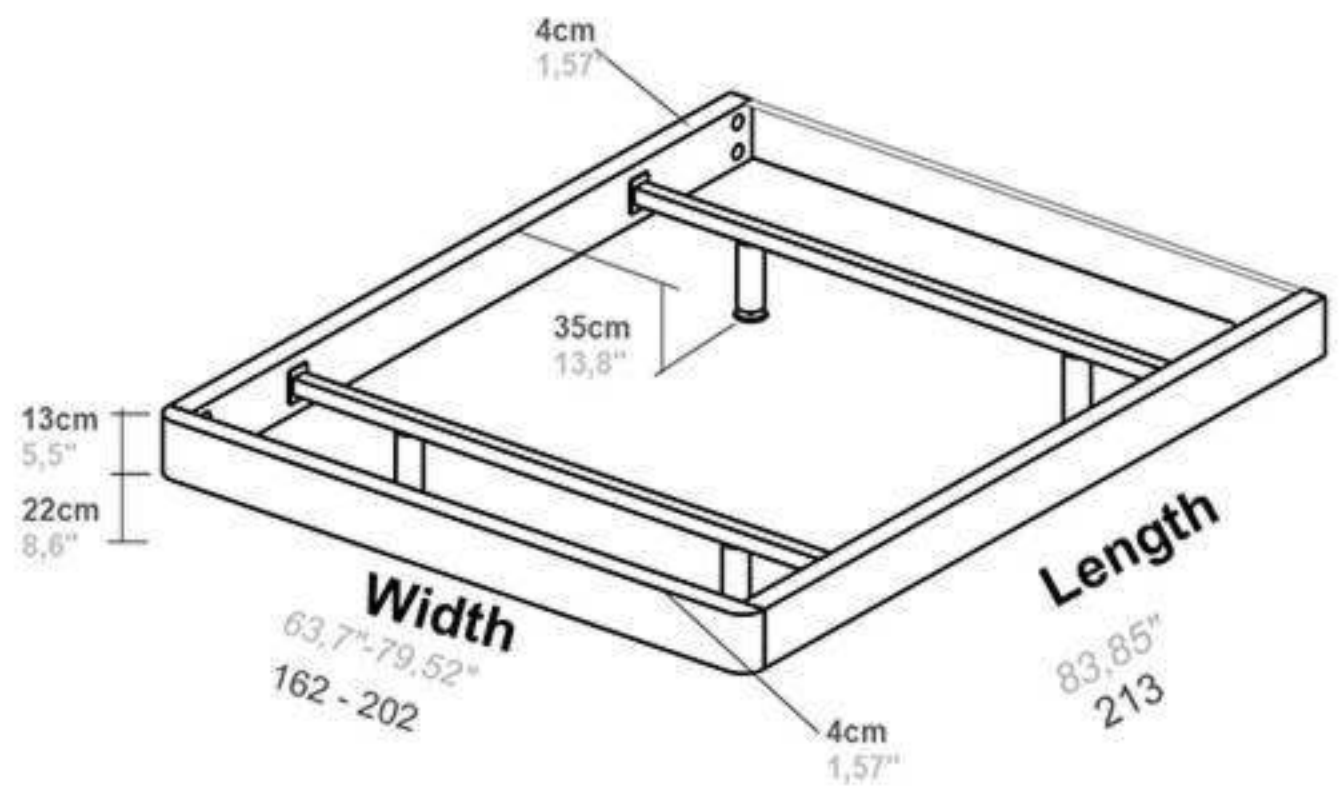


**BACK PANELS**

**White glossy lacquered**

For mattress width	QS	KS
Code	28232	28234
M <sup>3</sup>	0,42	0,48

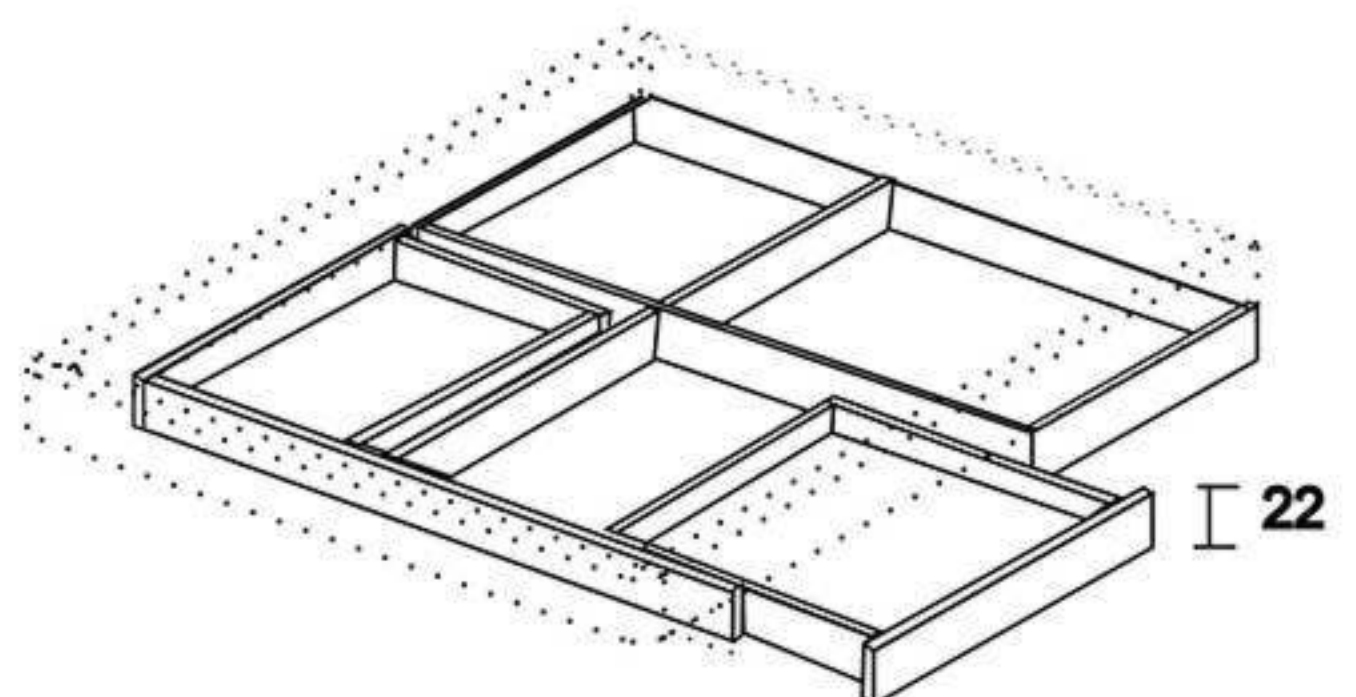
**BEDFRAME "NEW CURVED"**



**White glossy lacquered**

For mattress width	QS	KS
Code	6885U	6890U
M <sup>3</sup>	0,16	0,18

**SET OF DRAWERS FOR BEDFRAME**

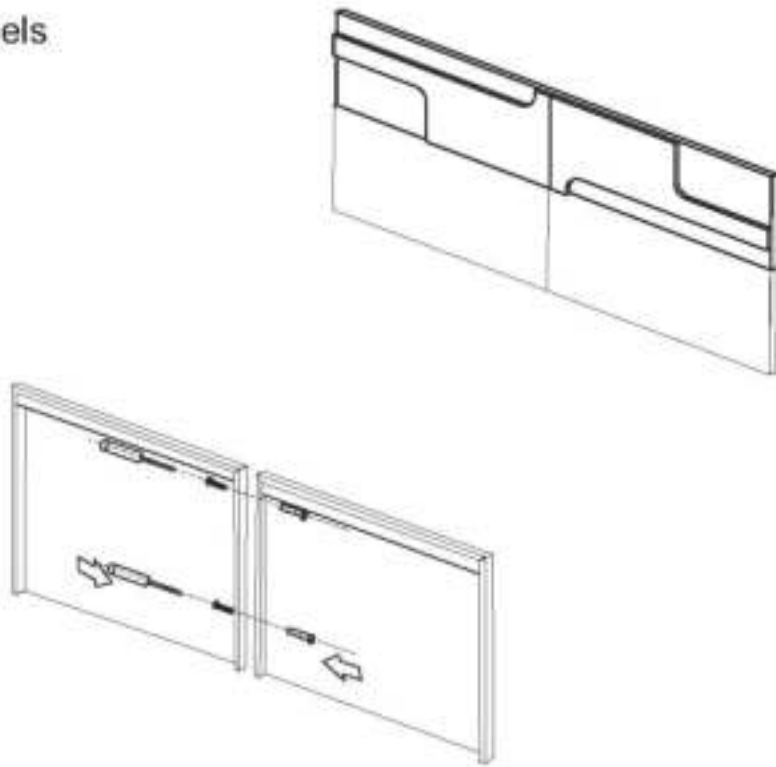


**White glossy lacquered**

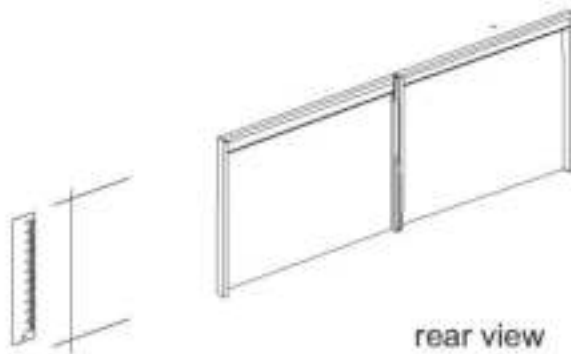
For mattress width	QS	KS
Code	6885U9	6890U9
M <sup>3</sup>	0,73	0,79

# POP headboard assembly instructions

1.- Union both rear pannels

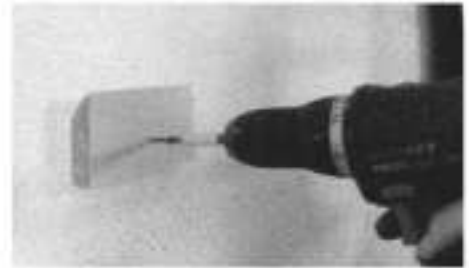


2.- Measure the height of rear panel where it has to be hanged to the wall

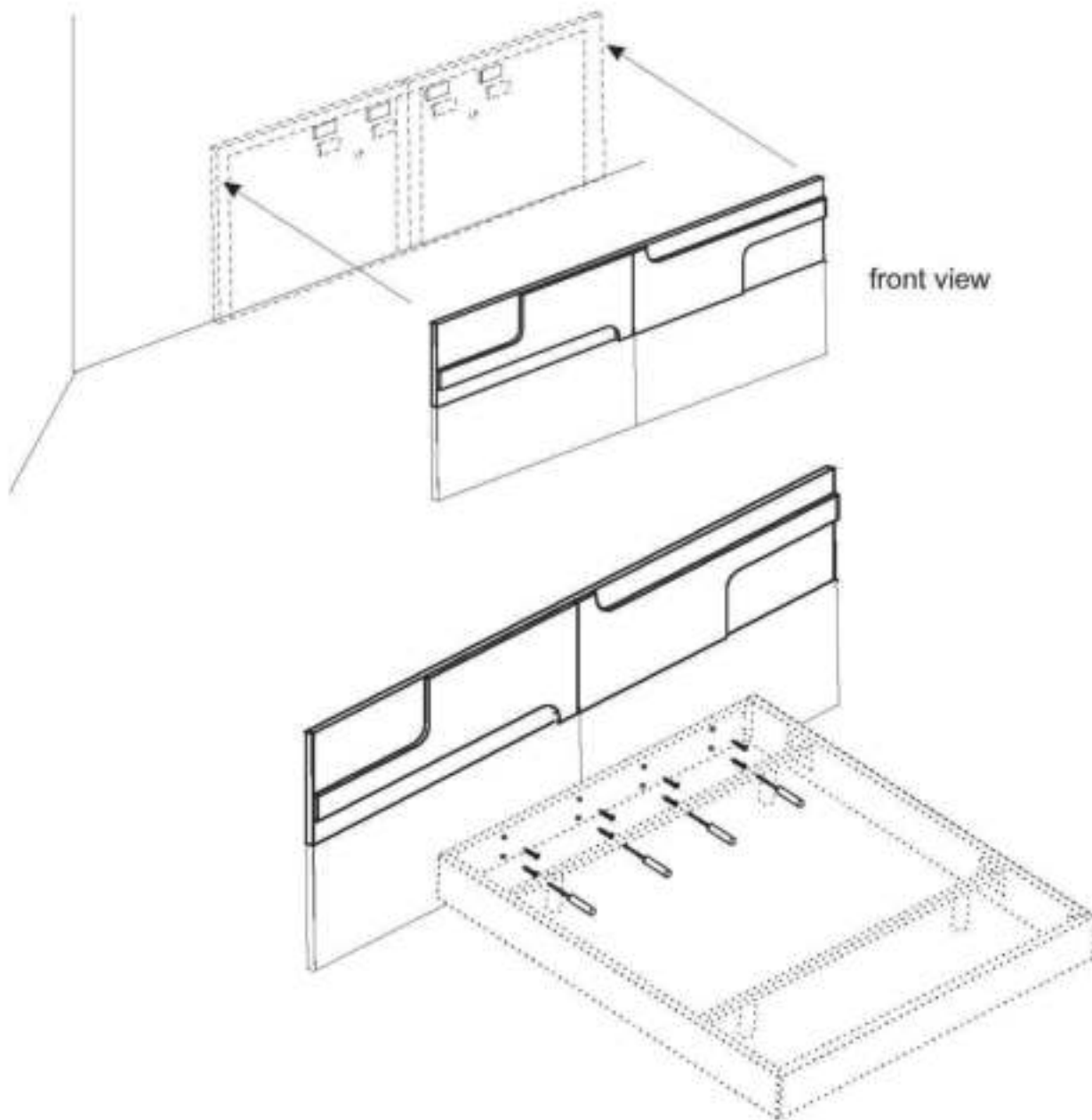


rear view

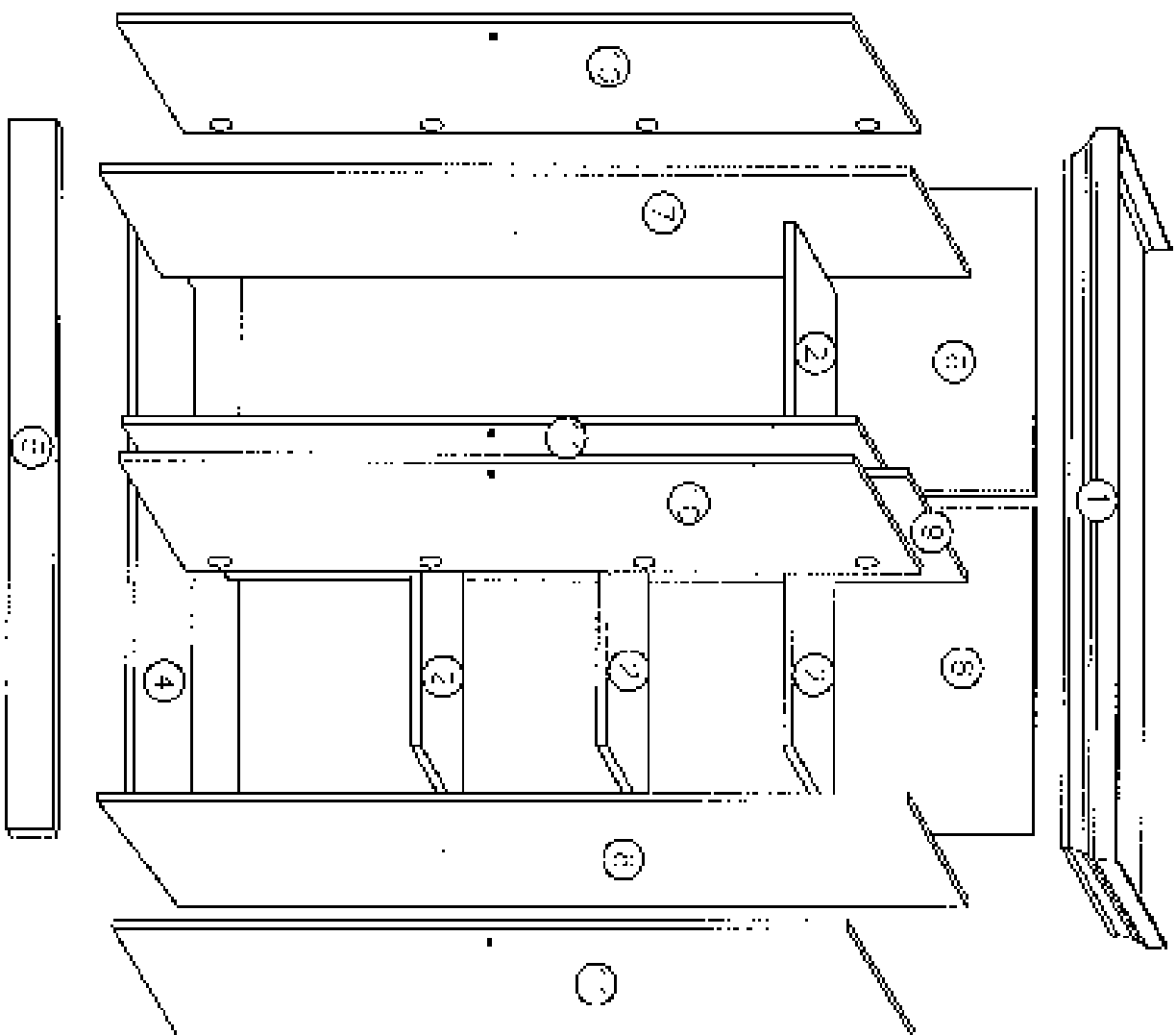
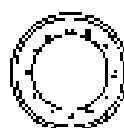
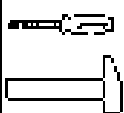
3. 1.– Fix the hanger in the wall to fix the pannels

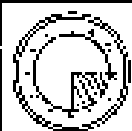
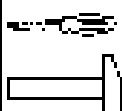


3. 2.– Fix the hanger in the wall to fix the pannels



front view





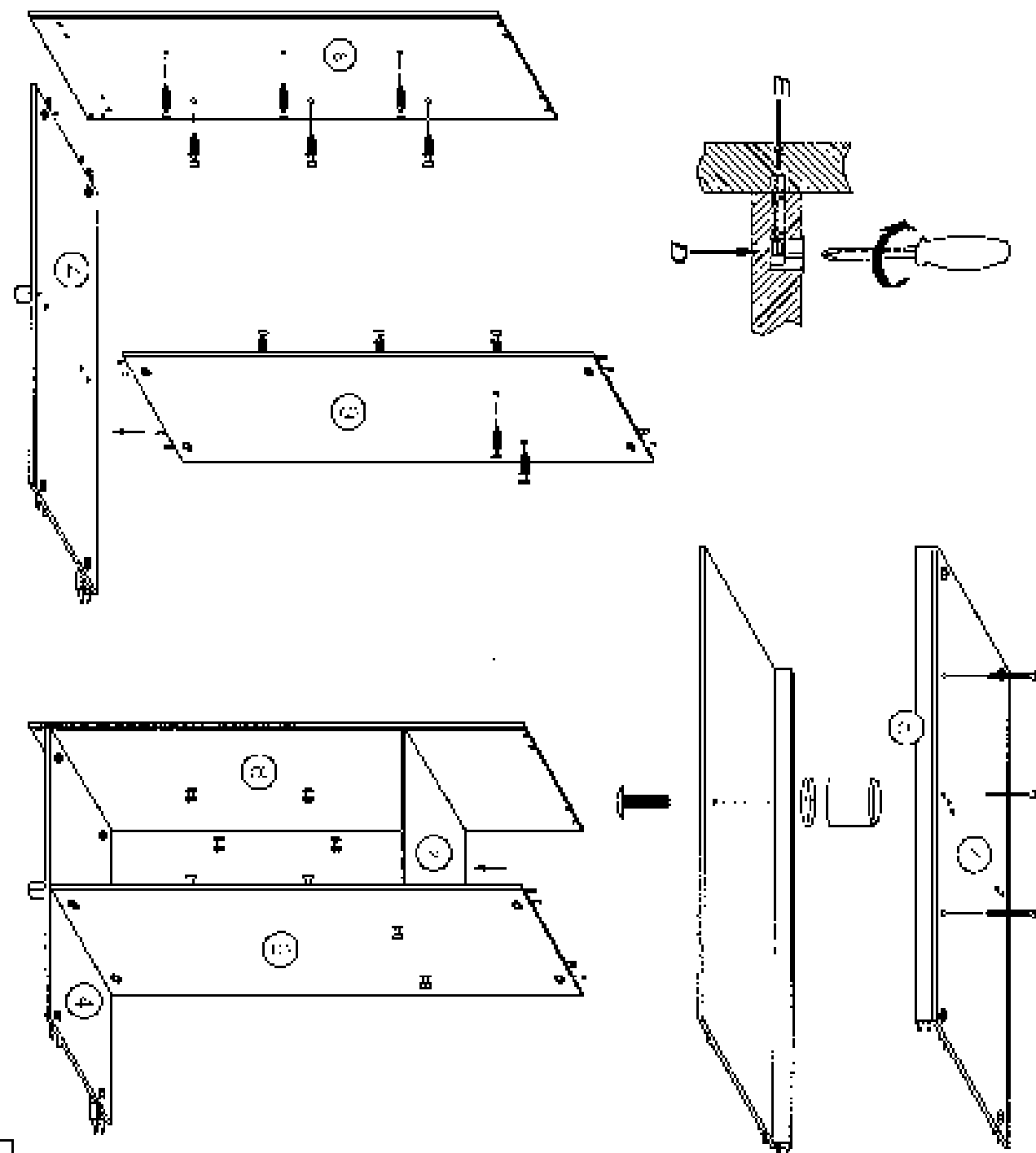
CHECKLISTE BESCHLÜGE

KODE	%	PZ
ARTIKEL		
Menge	18	3

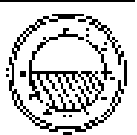
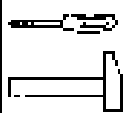
	M5x21	2
	M5x10x40	1

	D	
	E	

	0	
	1	
	2	
	3	
	4	
	5	
	6	
	7	
	8	
	9	
	10	





MASSITAB




30  
Kiln.

MADE IN ITALY

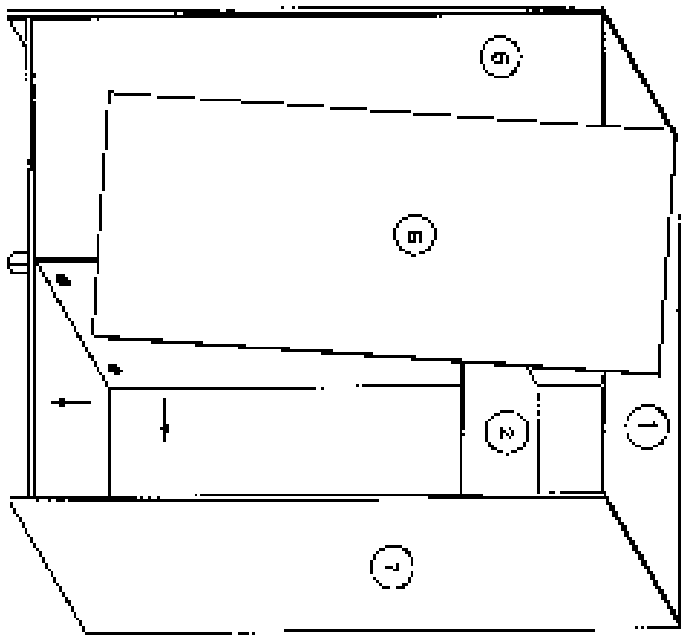
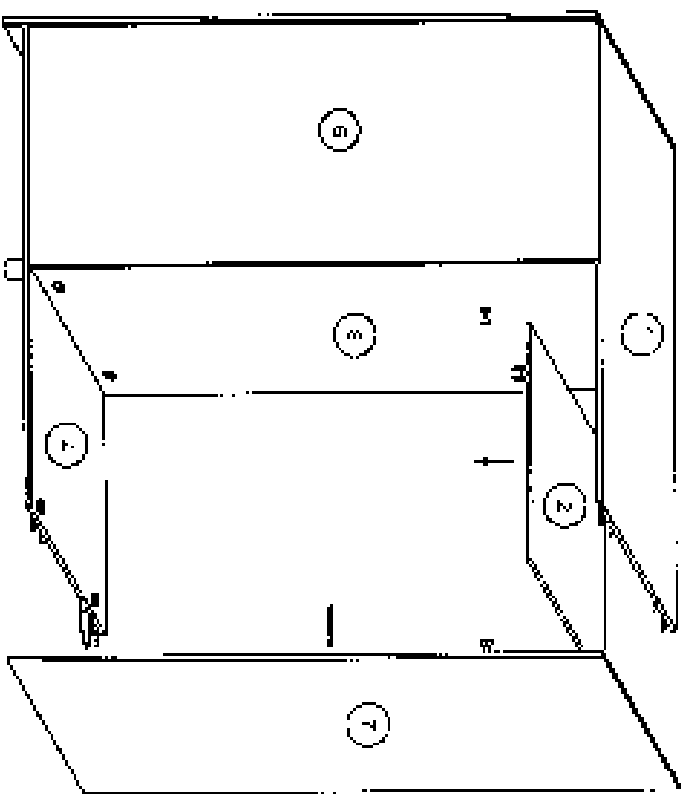
CHECKLISTE BESCHLÄGE

Kode	P1	Y
ARTIKEL		
Menge	10 <small>4x 2,5x 15</small>	10

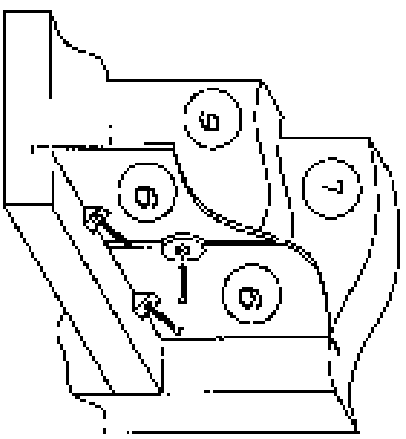
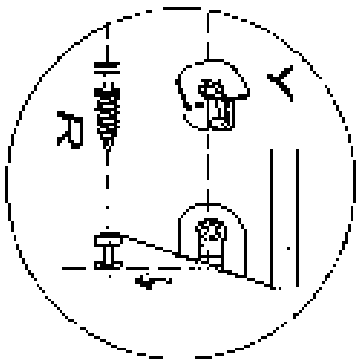
	WV	K
20		

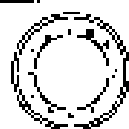


MASSITAB



ZOOM 1





CHECKLISTE BESCHÜTTUNG

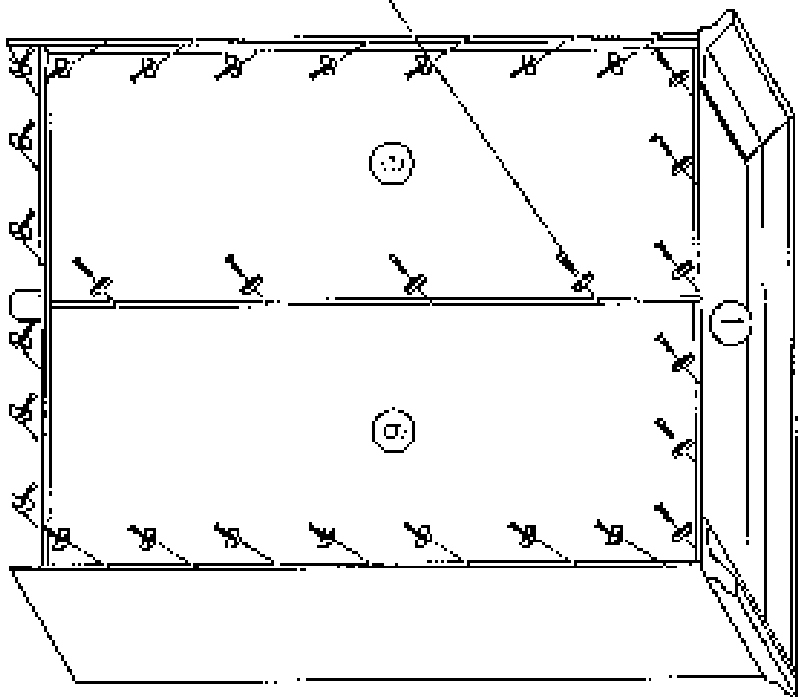
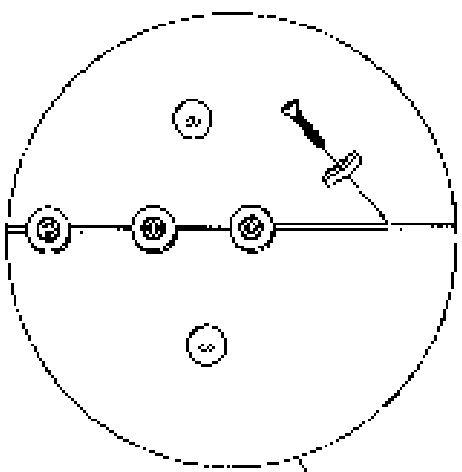
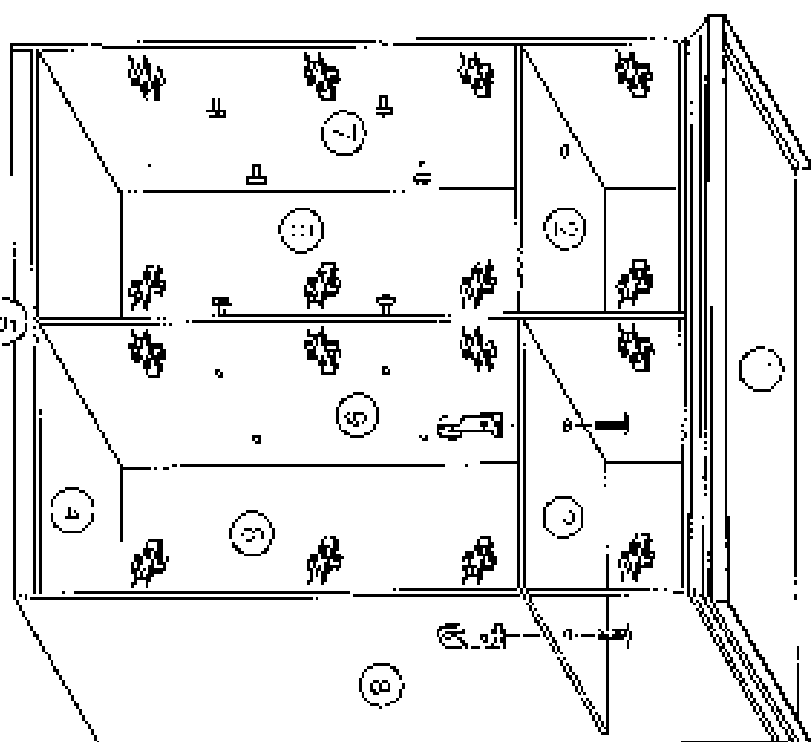
Kode	T	P1
ARTIKEL		
Menge	18	22

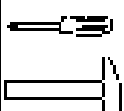
1		PP3	
2		UMRUX22	2

3			
4			
5			
6			
7			
8			
9			
10			
11			
12			
13			
14			
15			
16			
17			
18			





MASSITAB






15 Min.

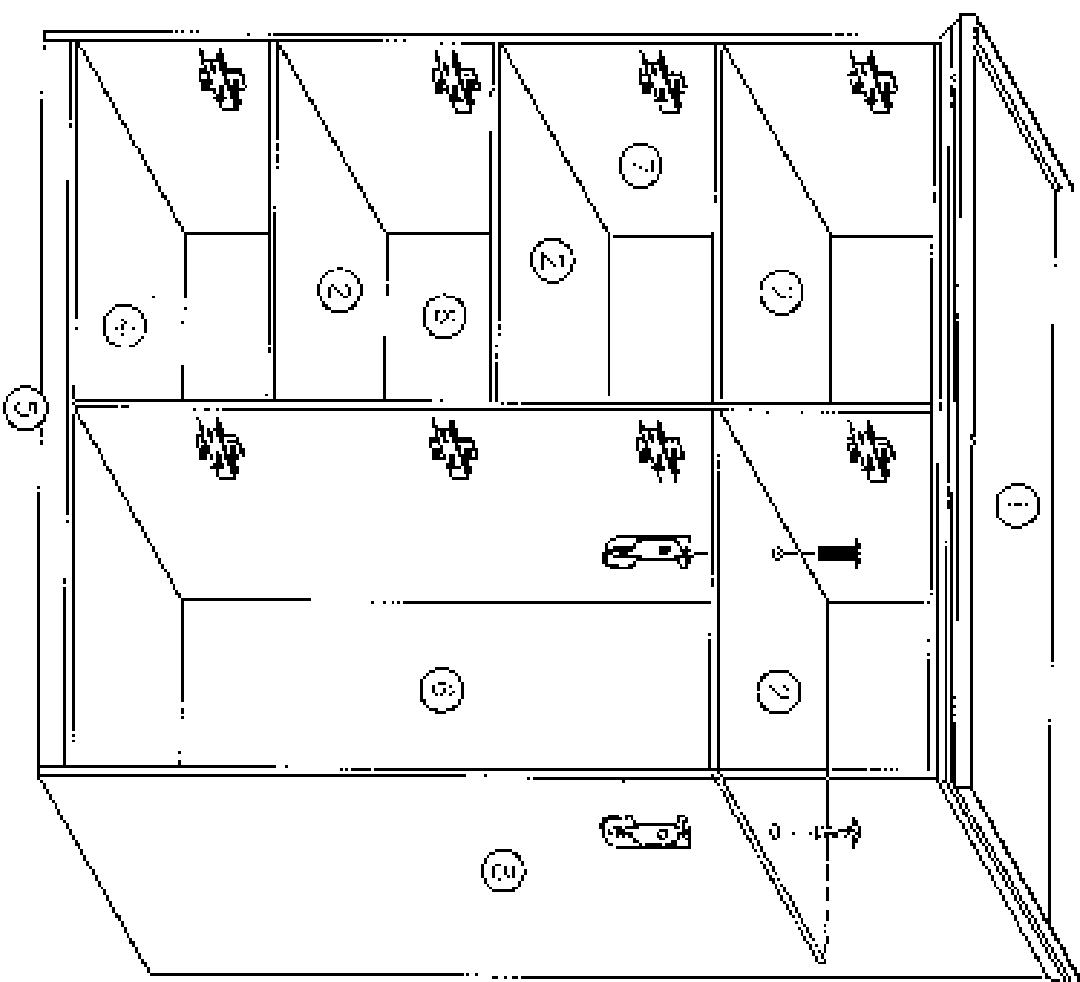
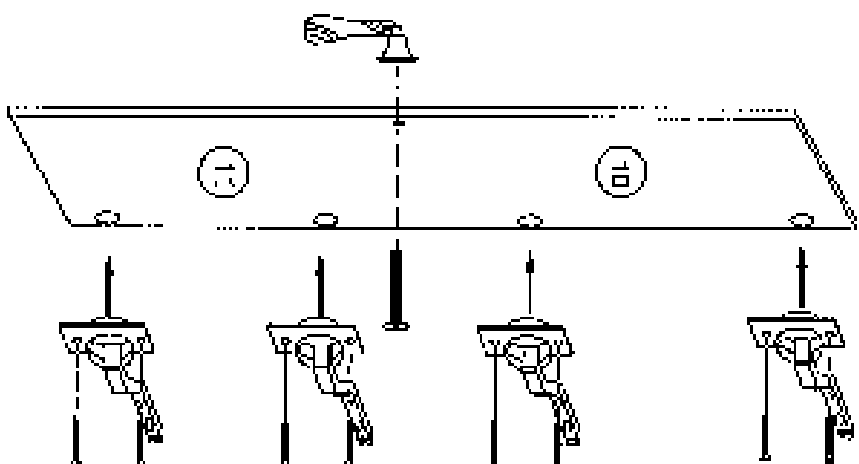
CHICKLUSTE BESCHLÄGE

Kode	N	PP4
ARTIKEL		
Menge	2	4x 4 mm X 32,5 2

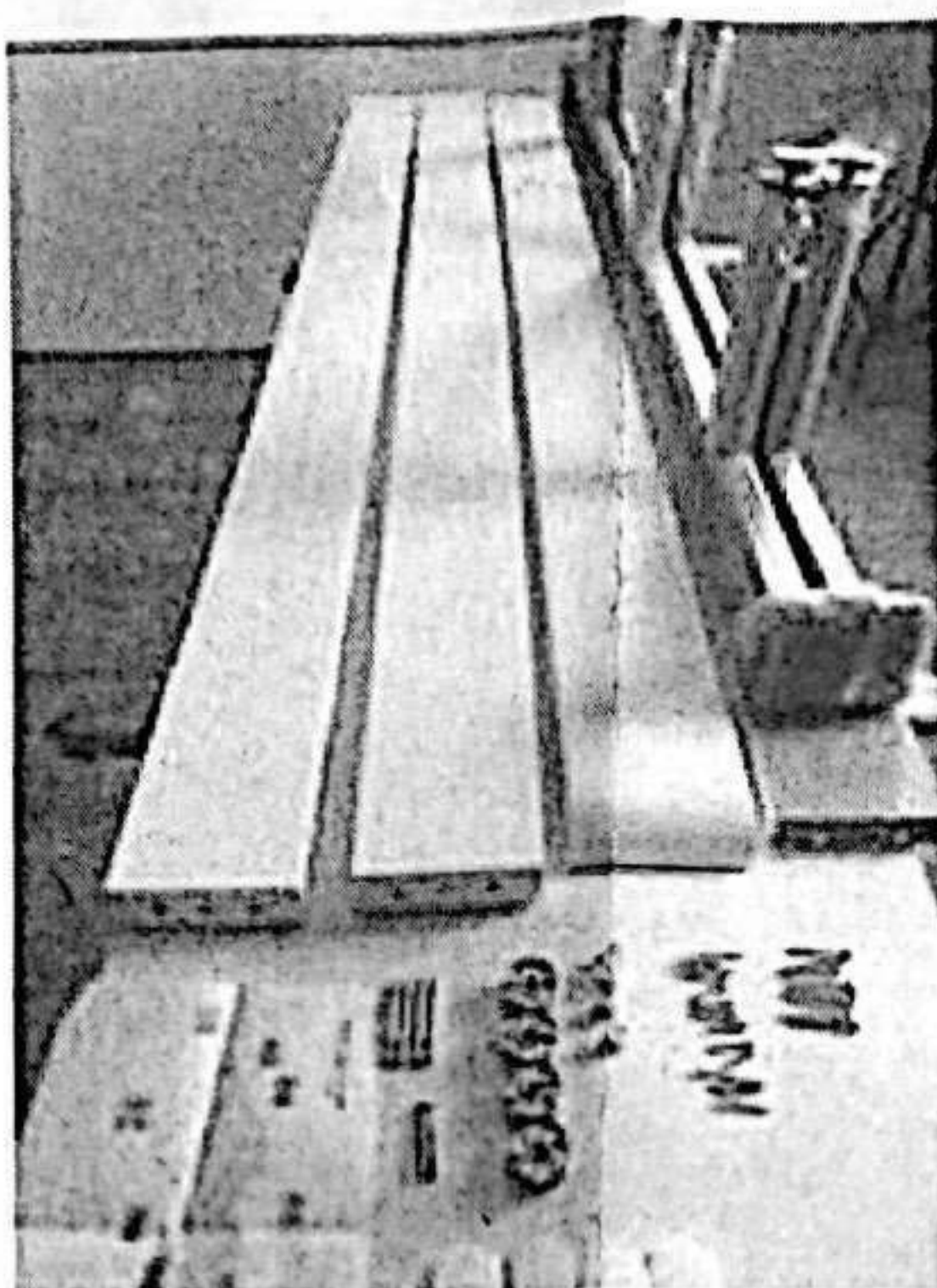
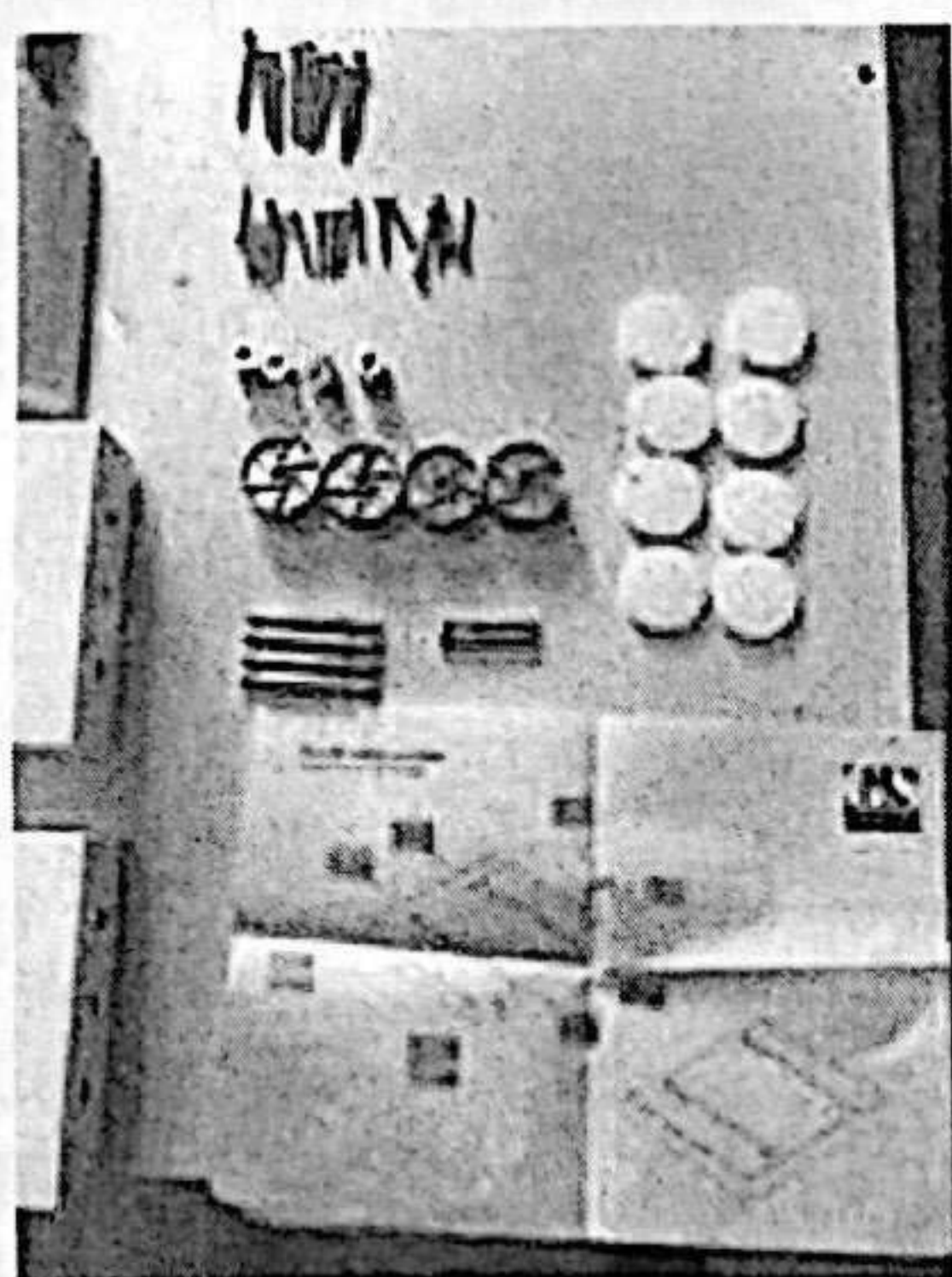
V		
	1x6	



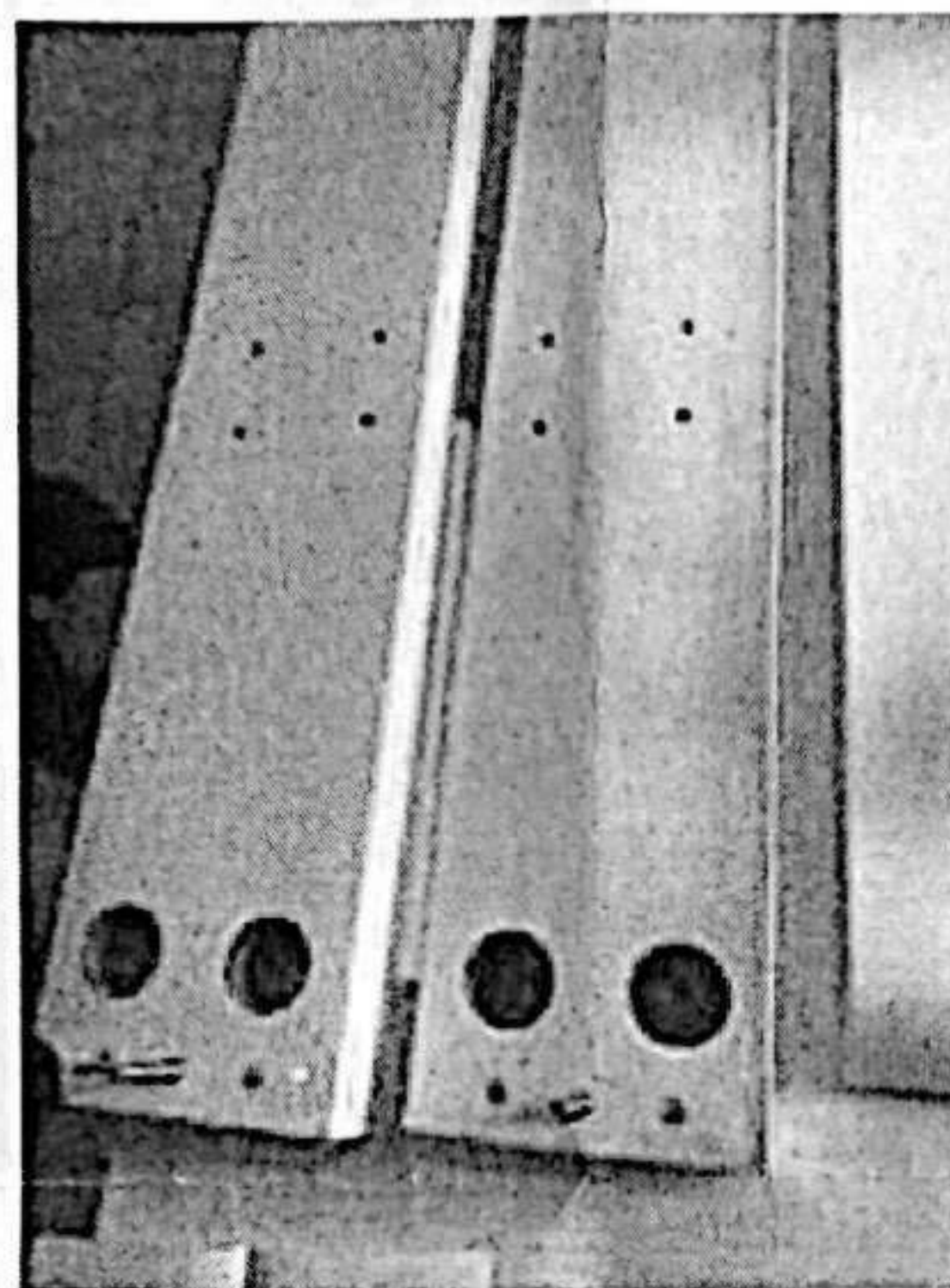
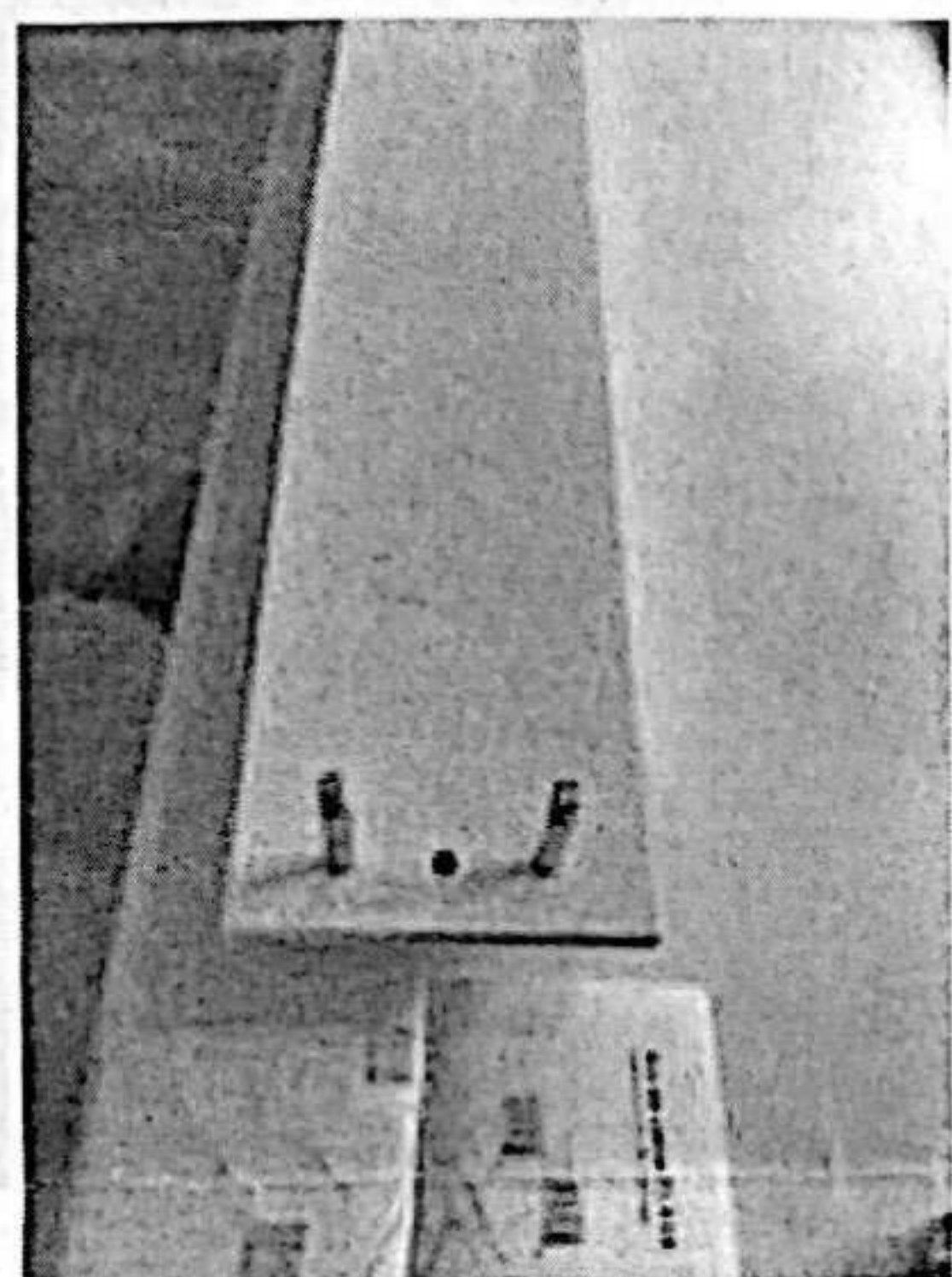
MASSITAB



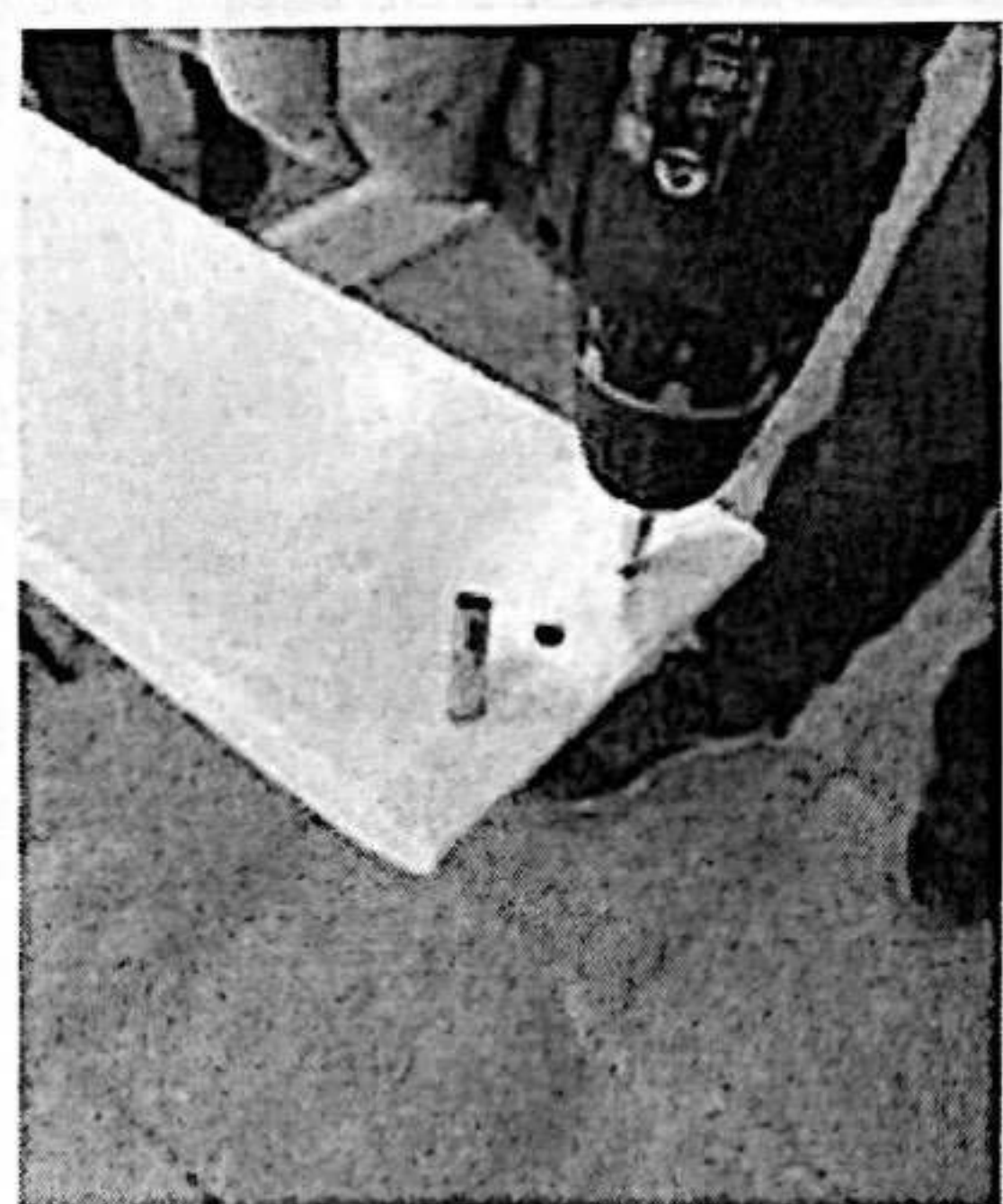




CONTENTS OF THE BEDFRAME BOX

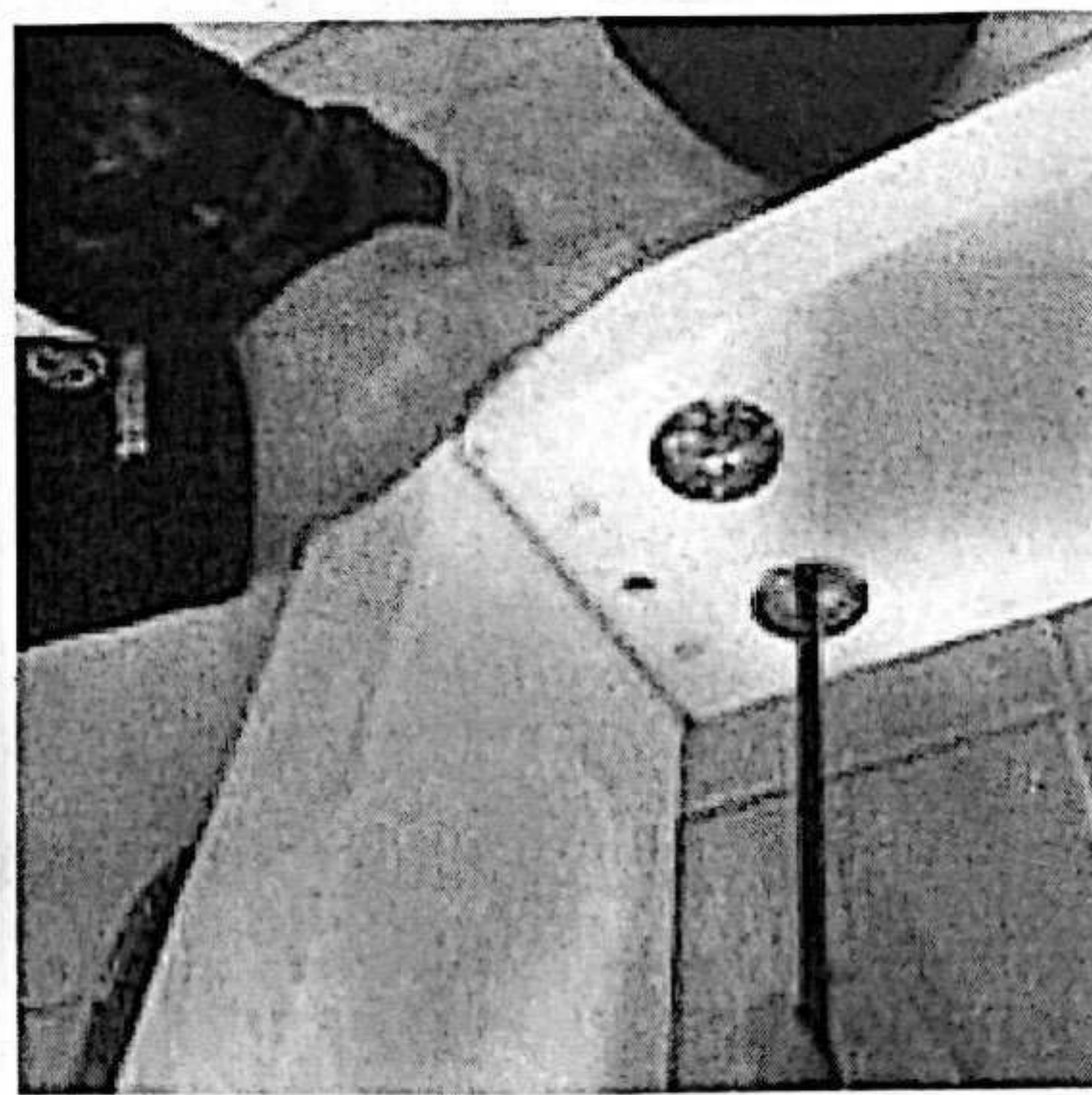
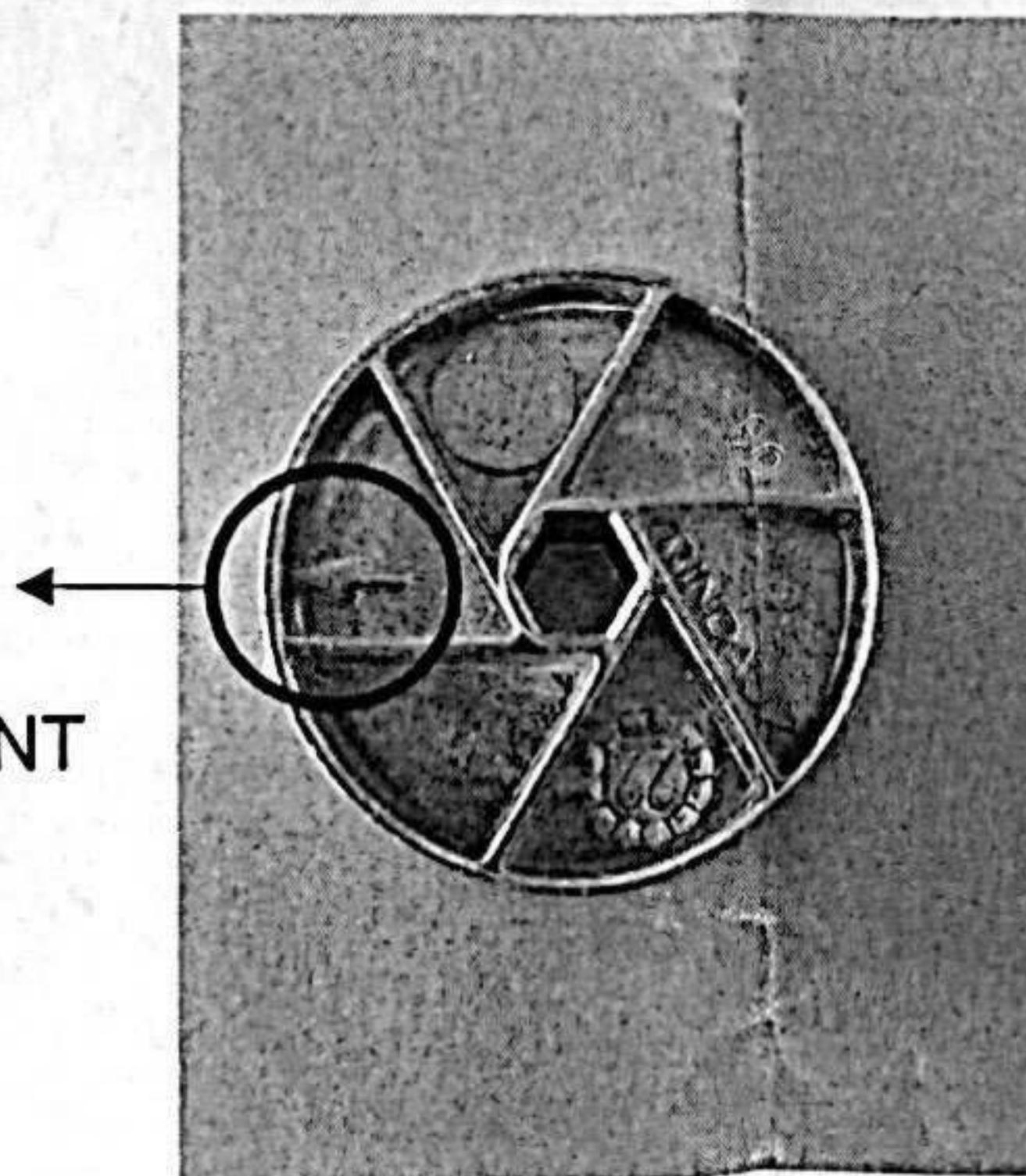


PLACE THE FITTINGS IN THE FOOT BOARD AND BOTH SIDERAILS

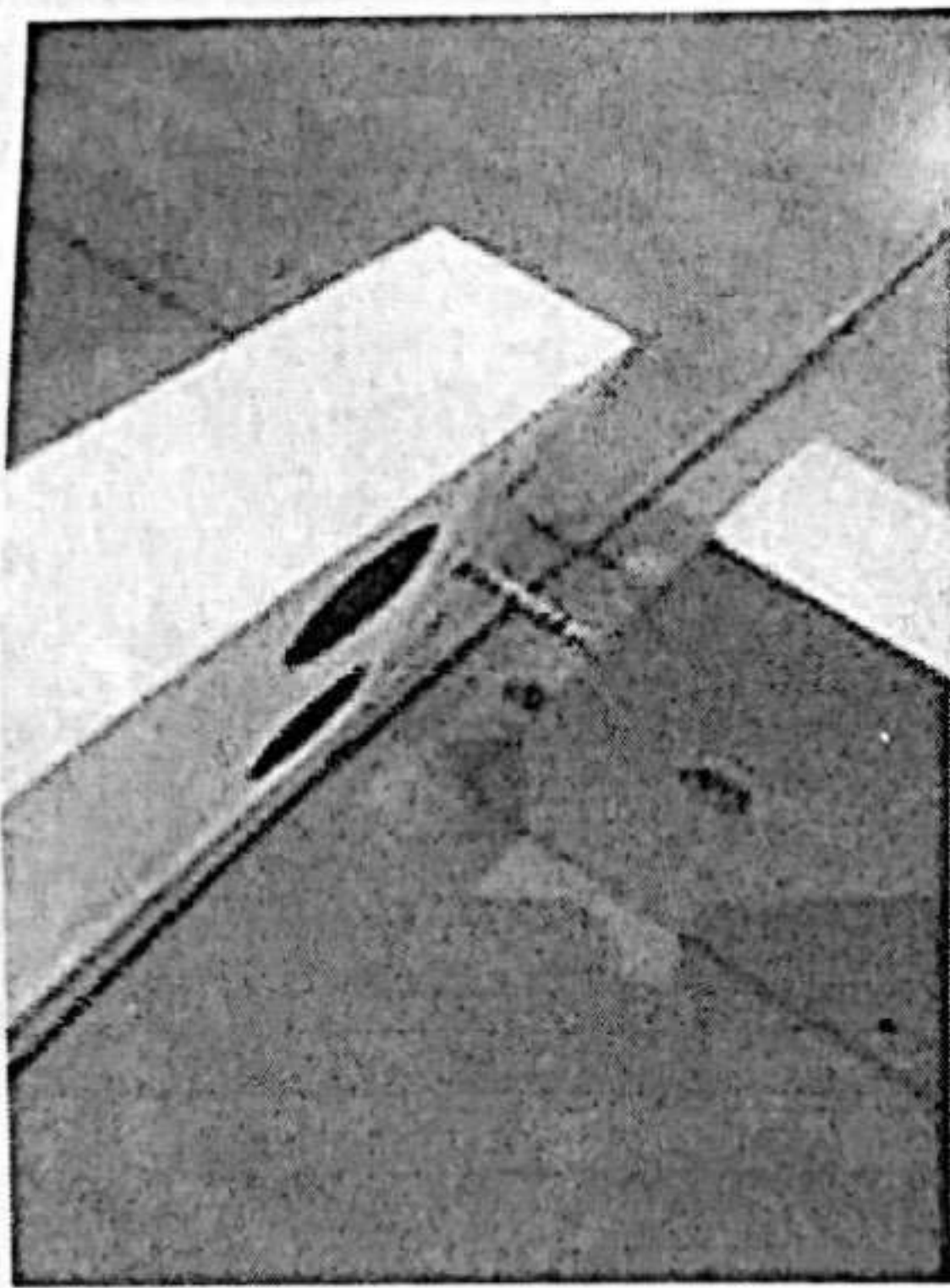


VERY IMPORTANT!!!!

PLACE THE FITTING WITH THE ARROW POINTING THE FOOTBOARD THAT HAS TO BE JOINT



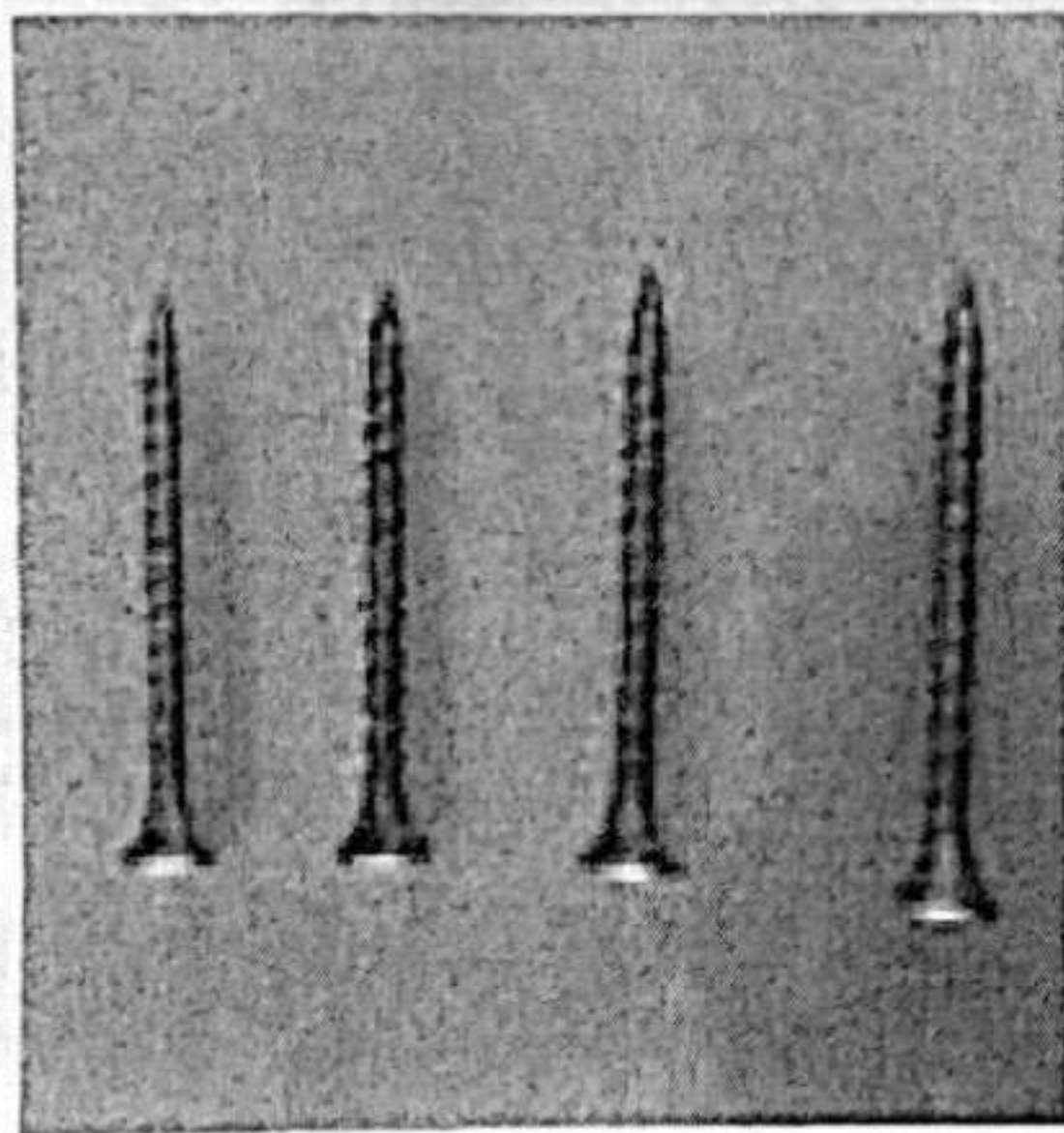




UNION BETWEEN SIDERAILS  
WITH INTERIOR FOOTBOARD



ASSEMBLY METALLIC CROSSBARS  
WITH SIDERAILS



FINALLY SCREW THROUGH  
INTERIOR FOOTBOARD THE  
BEDFRAME TO THE  
HEADBOARD

