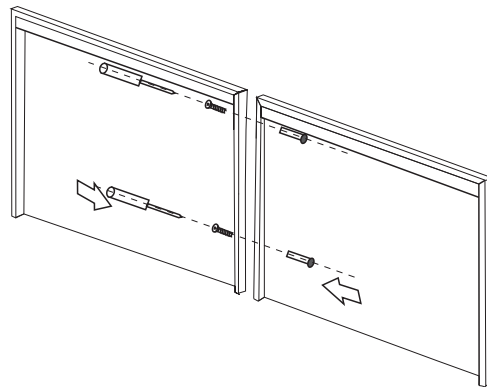
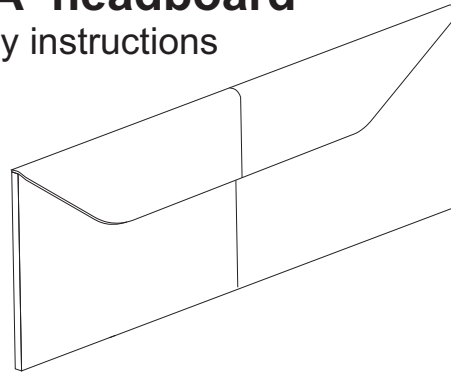


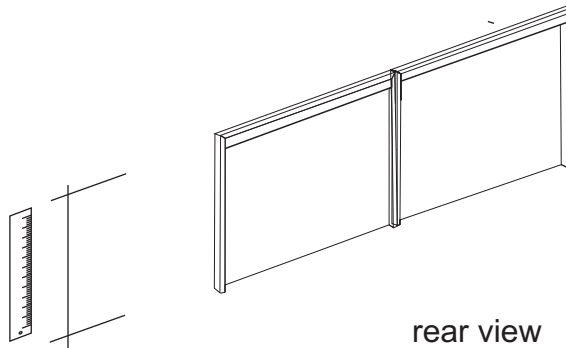
ELENA headboard

assembly instructions

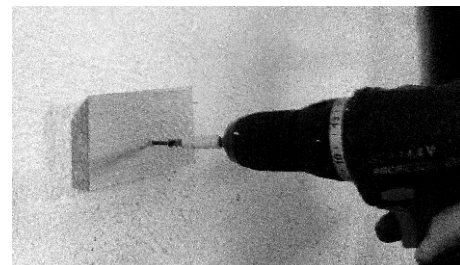
1.- Union both rear pannels



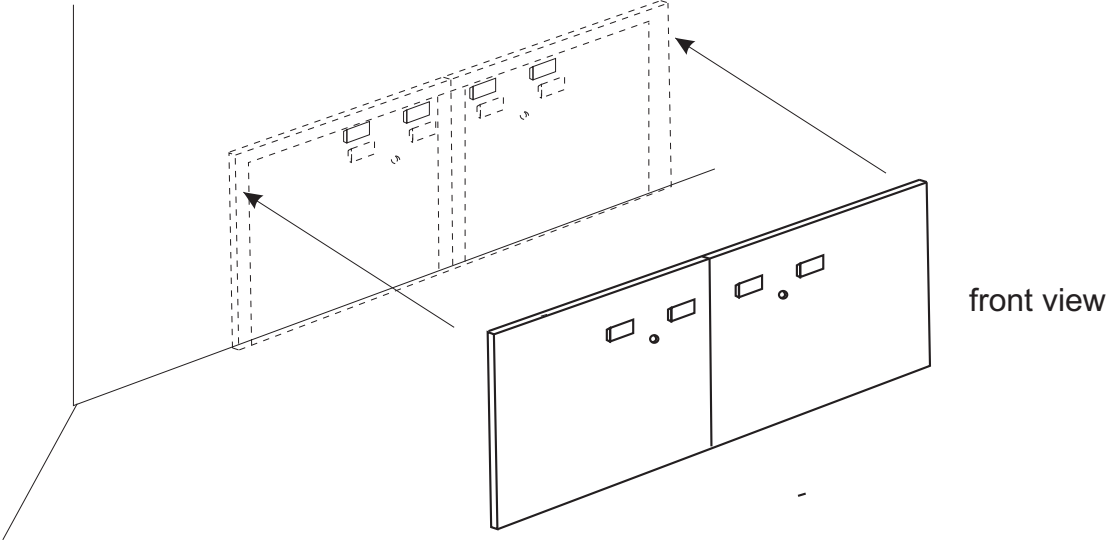
2.- Measure the height of rear panel where it has to be hanged to the wall



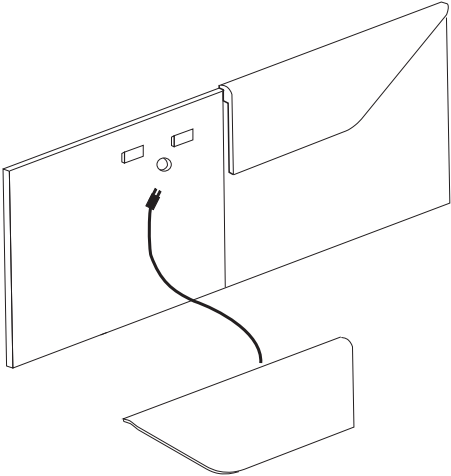
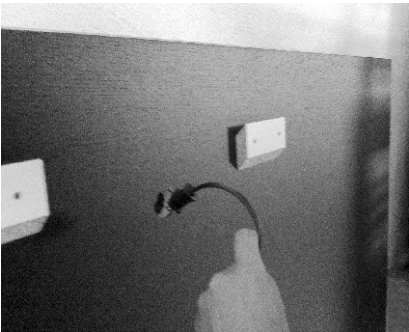
3. 1.-- Fix the hanger in the wall to fix the pannels



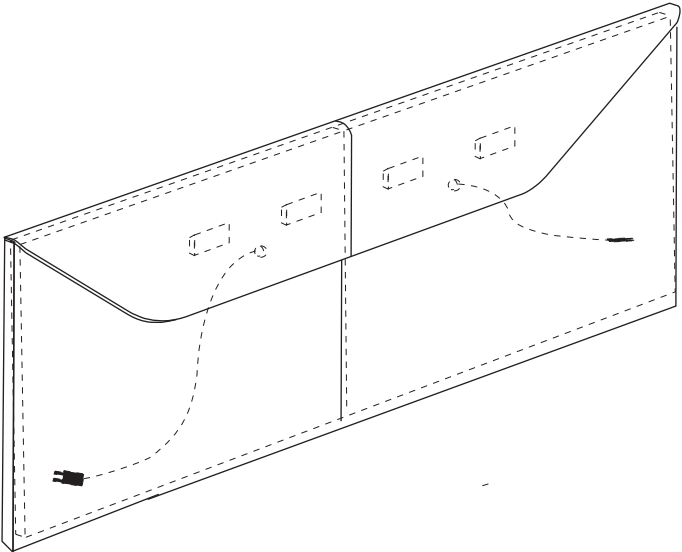
3. 2.-- Fix the hanger in the wall to fix the panels

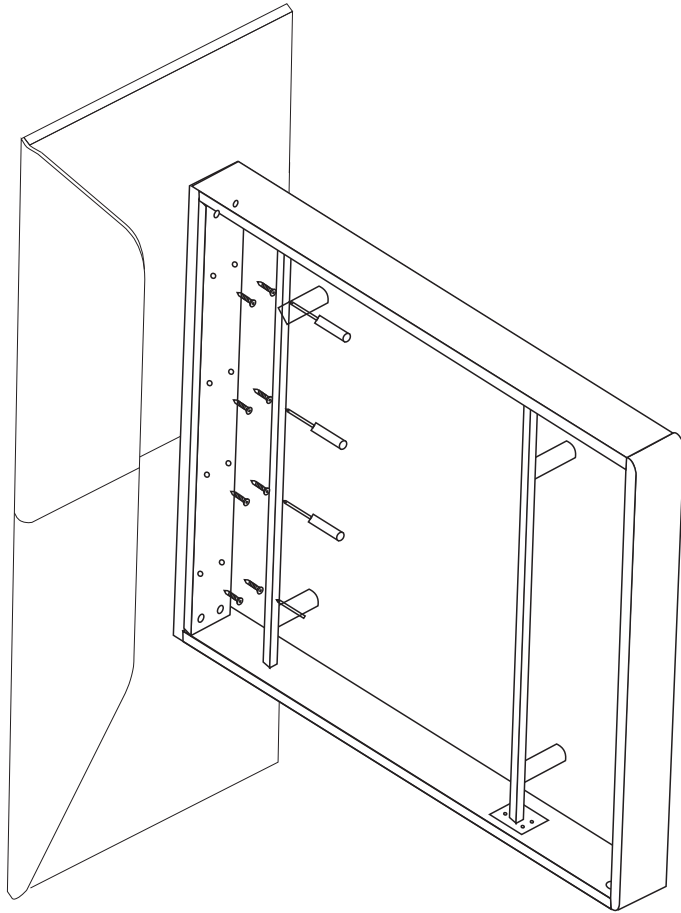


4.- Pass the connection wire throw the rear panel hole and connect it



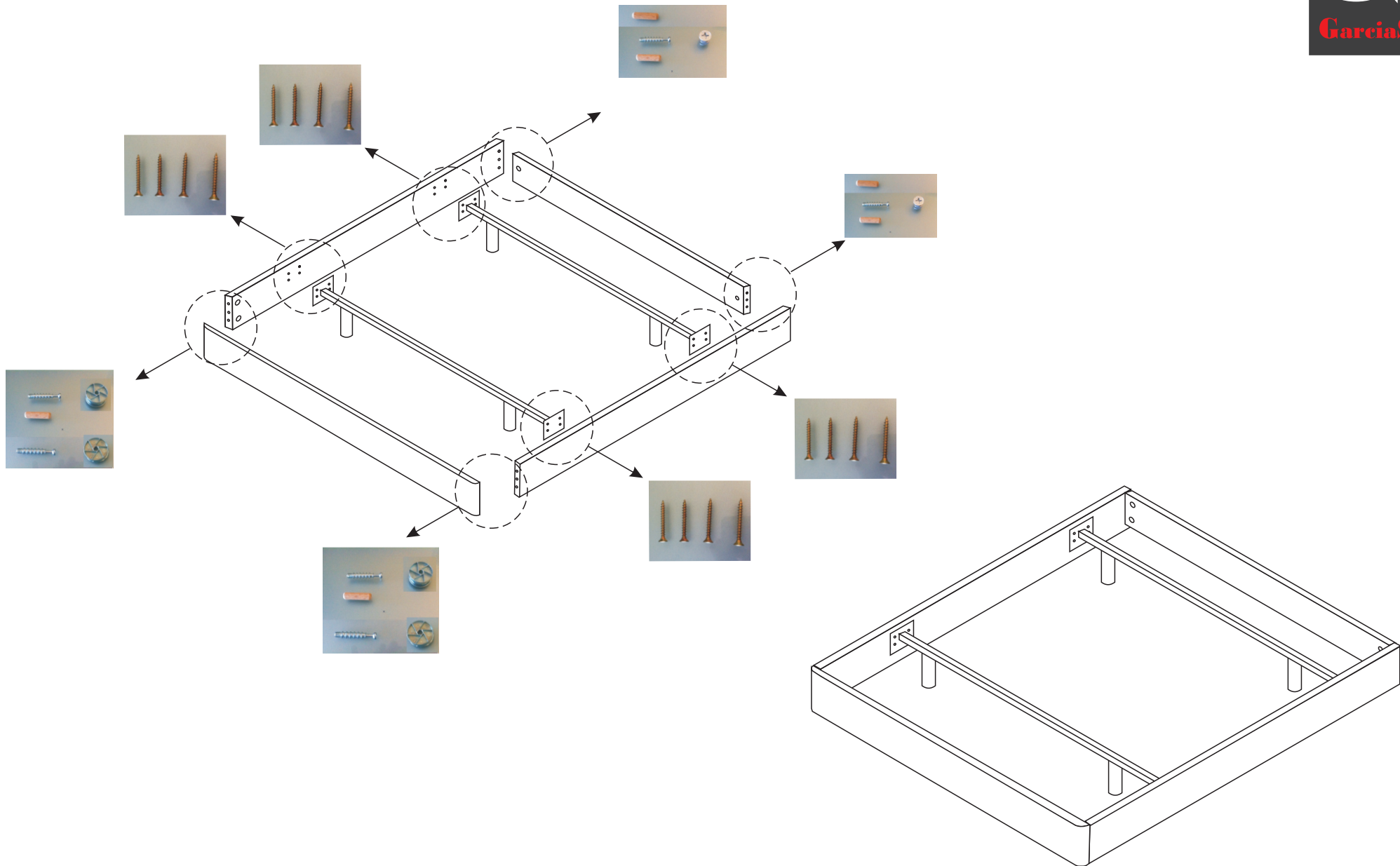
5.- Hang the front headboard



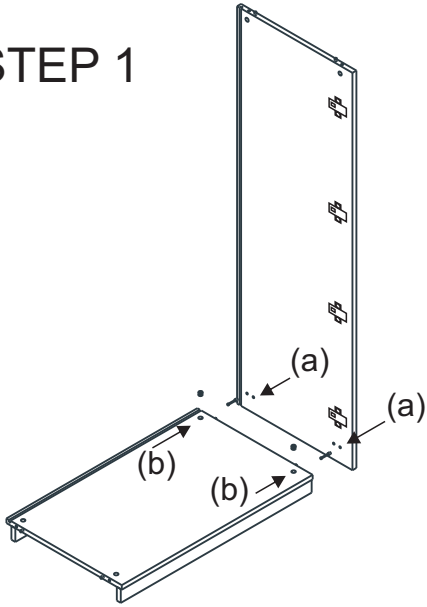


Aro de cama CLASS

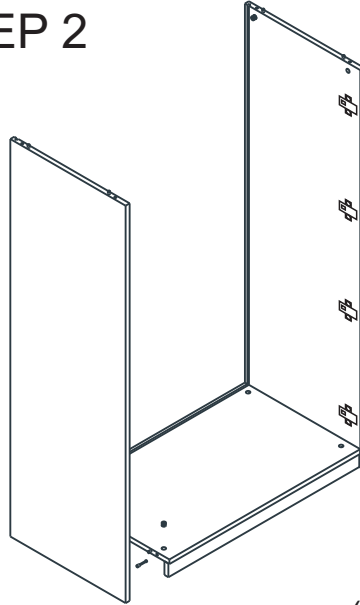
Instrucciones de montaje



STEP 1



STEP 2

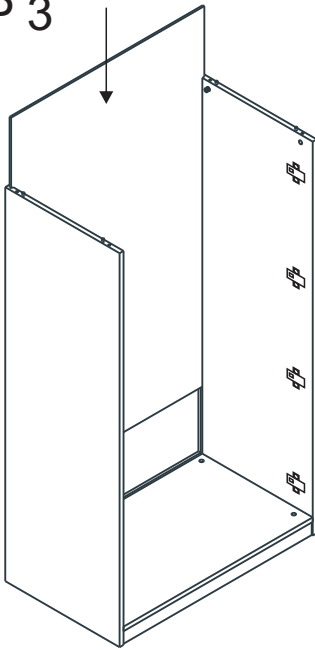


HARDWARE

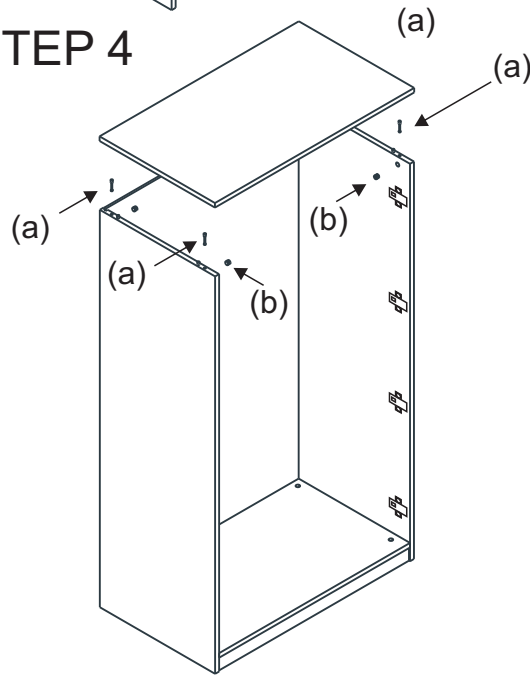
(a)  X 8

(b)  X 8

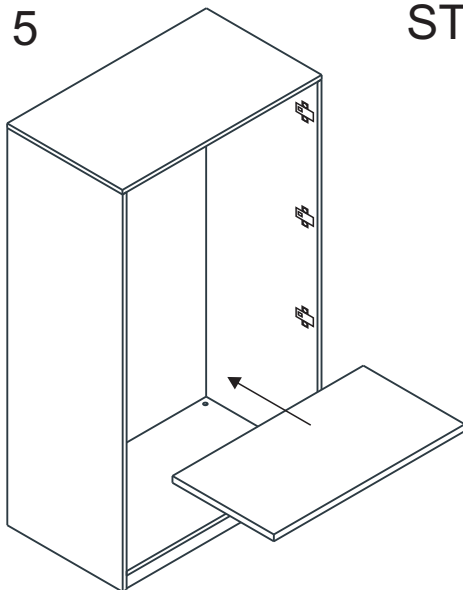
STEP 3



STEP 4



STEP 5



STEP 6

