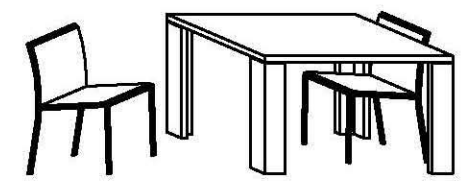


### Legend

A	Dinig table Top
B	Extention
C	Leg (4 pcs)
D	

### Fitting check list

01	32 x		Flat head screw (for extention)
02	16x		Flat head screw (for legs)
03	1x		spanner (for legs)
04	2x		DOWEL

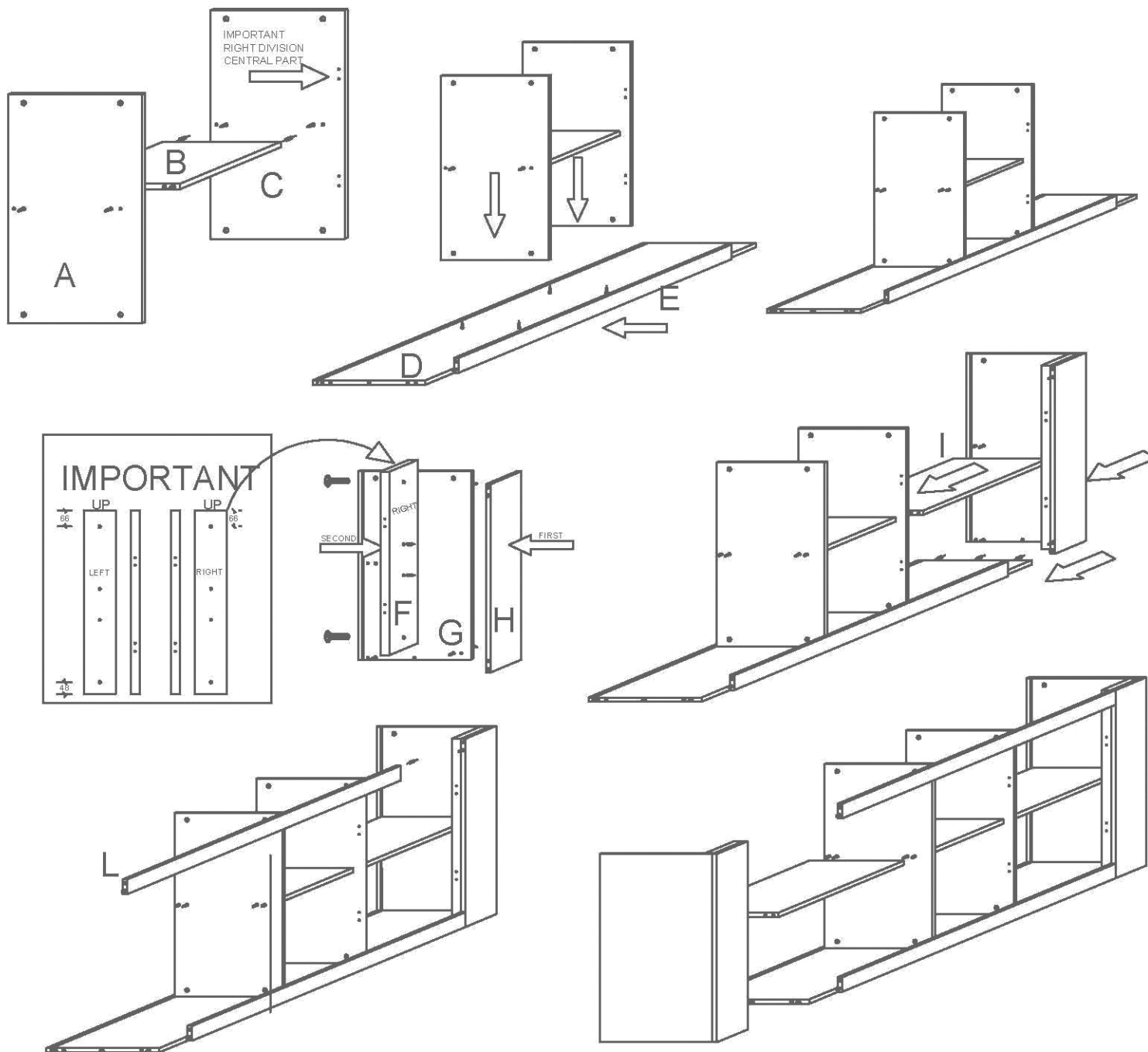


### Status

Tipologia	Elegance
Codice	A1
Project	Dinig Table + extention

Status - Albina di Gaiarine (Italy)  
[www.statusitaly.it](http://www.statusitaly.it)

# IMPORTANT: ASSEMBLING THIS UNIT NEEDS MINIMUM 2 PERSONS

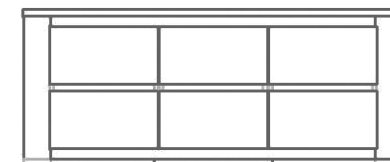


## Legend

A	Left division
B	central shelf (smaller)
C	Right division
D	Bottom
E	smaller trims for bottom
F	Inside band (left / right)
G	Side (left / right)
H	Frontal trims
I	Shelf lateral (2pcs)
L	smaller trims for top

## Fitting check list

01		Wooden dowels
02		Receiving nuts
03		Cap for receiving nuts
04		Screws for receiving nuts
05		
06		
07		
08		
09		
10		
11		
12		
13		



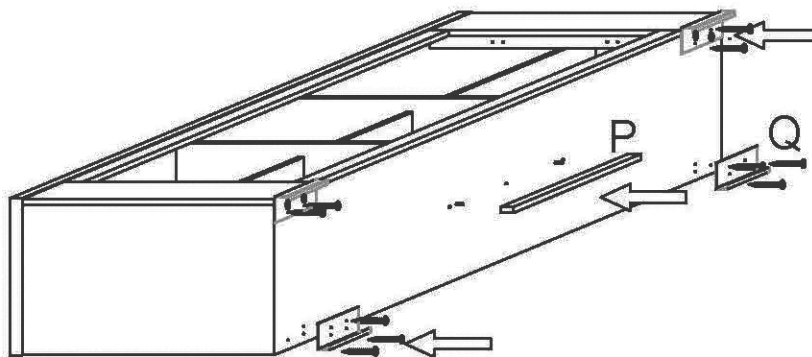
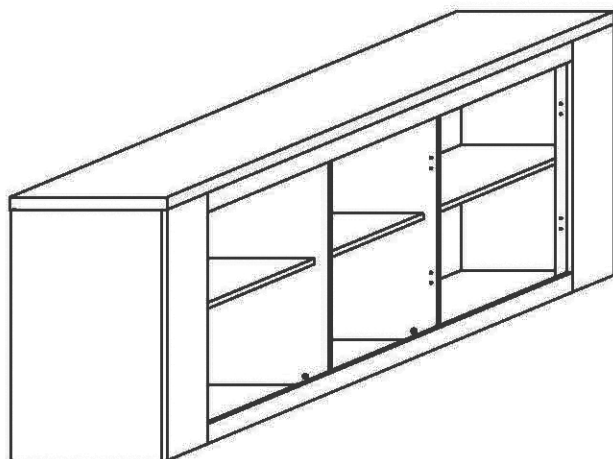
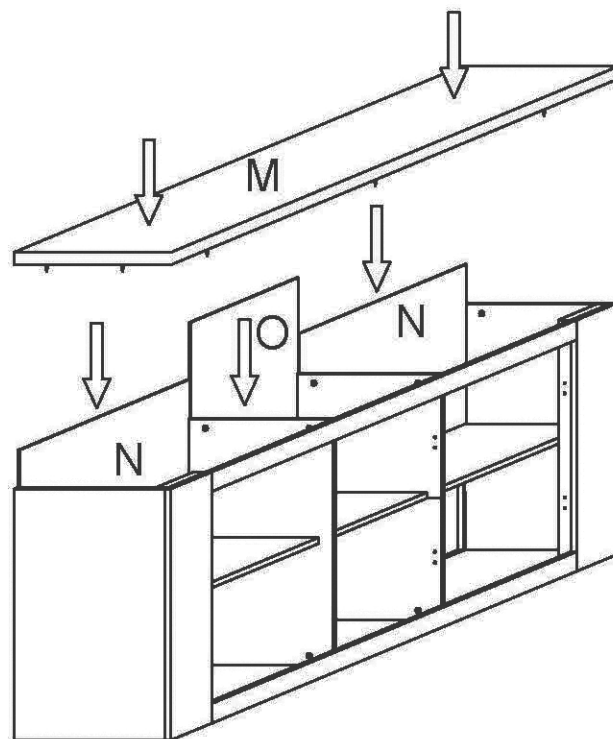
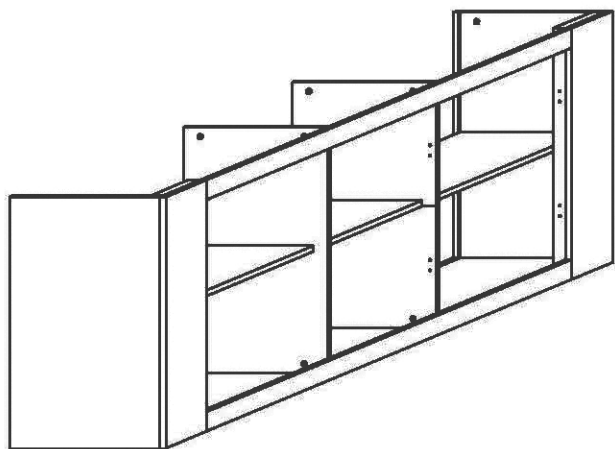
## Status

Tipologia	ELEGANCE
Codice	A2
Project	3 DOORS BUFFET (pag. 1)

Status - Albina di Gaiarine (Italy) - [www.statusitaly.it](http://www.statusitaly.it)

TEL +39 0434 75195 FAX 0434759553

**IMPORTANT: ASSEMBLING THIS UNIT NEEDS MINIMUM 2 PERSONS**

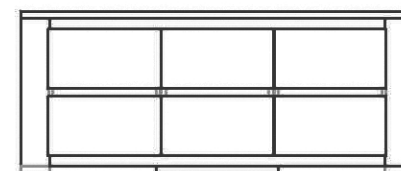


### Legend

M	Top
N	Lateral back panel (2pcs)
O	Central back panel
P	Plint
Q	Feet

### Fitting check list

01		Wooden dowels
02		Receiving nuts
03		Cap for receiving nuts
04		Screws for receiving nuts
05		Screws for feet
06		
07		
08		
09		
10		



### Status

Tipologia	ELEGANCE
Codice	A2
Project	3 DOORS BUFFET (pag. 2)

Status - Albina di Gaiarine (Italy) - [www.statusitaly.it](http://www.statusitaly.it)

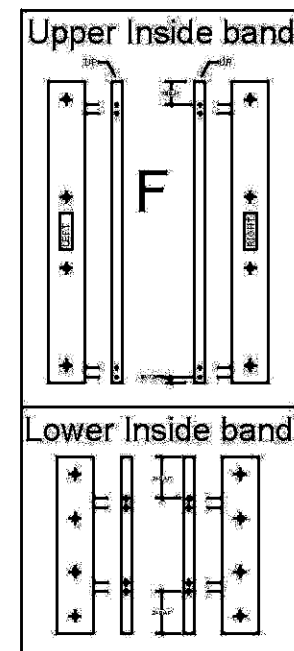
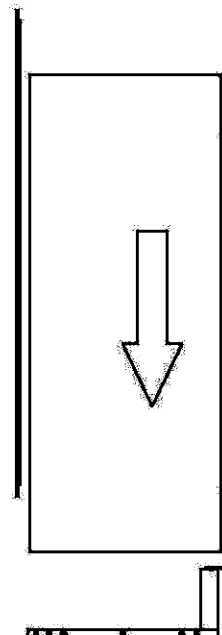
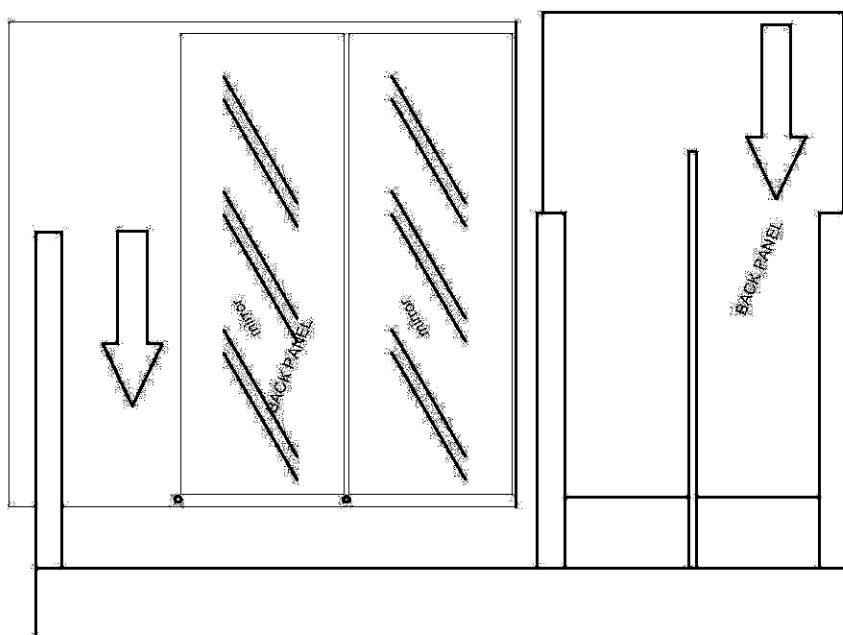
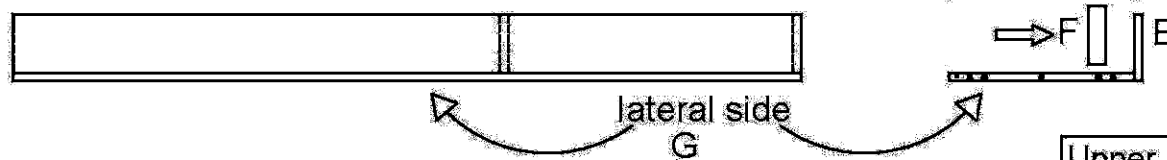
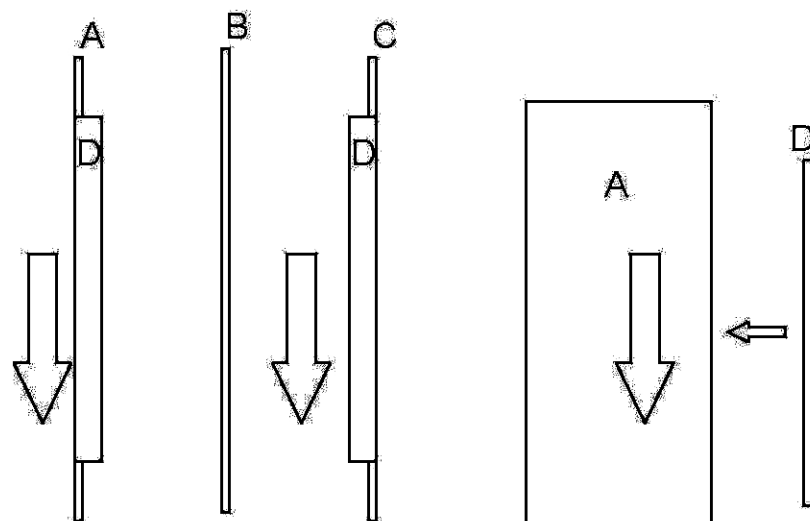
TEL +39 0434 75195 FAX 0434759553

1° FIX THE FRONTAL TRIMS ON THE SIDES

2° FIX THE INSIDE BAND IN THE FRONTAL TRIMS

3° FIX THE TWO SMALL TRIMS (SAME) ON THE BOTTOM AND ON THE CENTRAL SHELVES AND FIX ALL ON THE SIDE

4° FIX THE 2 BACK PANELS AND THE SMALL TOP TRIMS

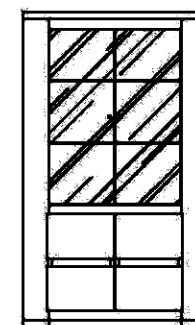


## Legend

A	Central shelf
B	Shelve
C	Bottom
D	Small trims
E	Frontal trim
F	Inside band
G	Side

## Fitting check list

01	01.X	complete hardware for assembling



## Status

Tipologia	Elegance
Codice	A2
Project	2/7 DOORS VITRINE (1)

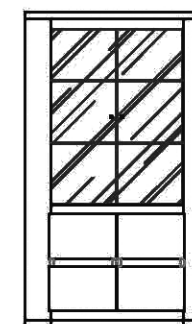
Status - Albina di Galarine (Italy)  
www.statusitaly.it

## Legend

A	Central shelf
B	Shelve
C	Bottom
D	Small trims
E	Frontal trim
F	Inside band
G	Side

## Fitting check list

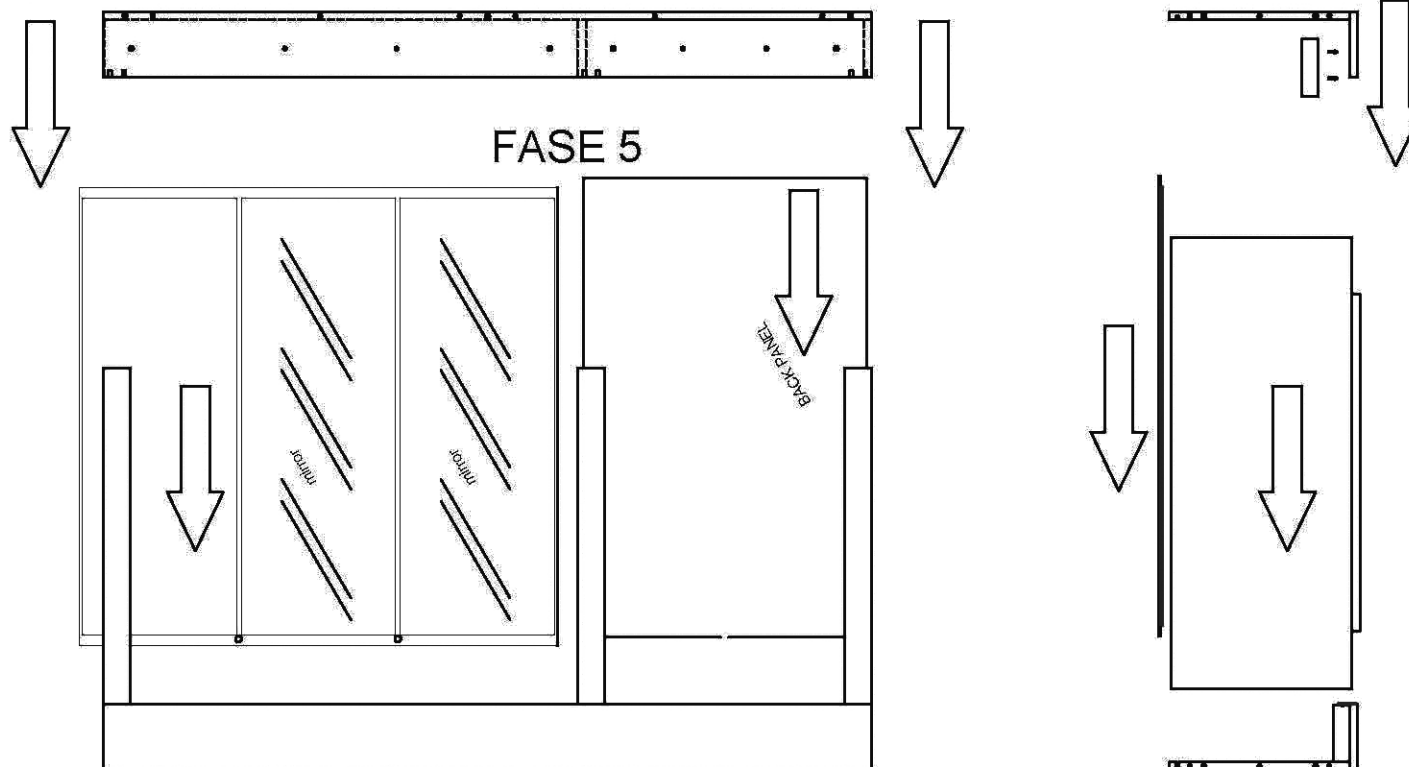
01	01 x	complete hardware for assembling



## StatuS

Tipologia	Elegance
Codice	A2
Project	2 / DOORS VITRINE (2)

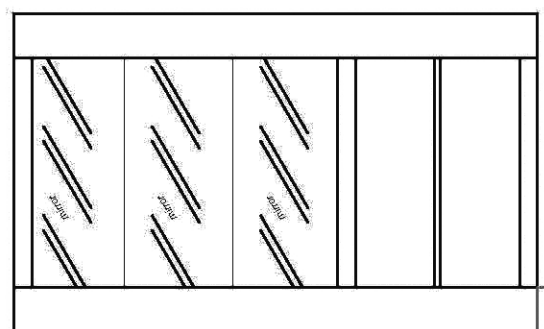
StatuS - Albina di Gaiarine (Italy)  
www.statustaly.it



5° PUT ON THE BACK PANELS, FIX THE OTHER SIDE WITH FRONTAL TRIMS AND INSIDE BAND AND ASSEMBLE ALL TOGETHER

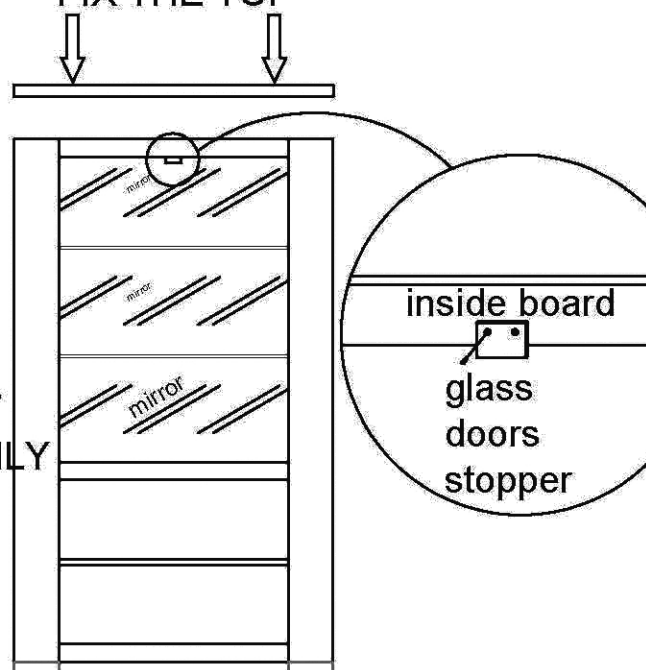
6° PUT THE FEET

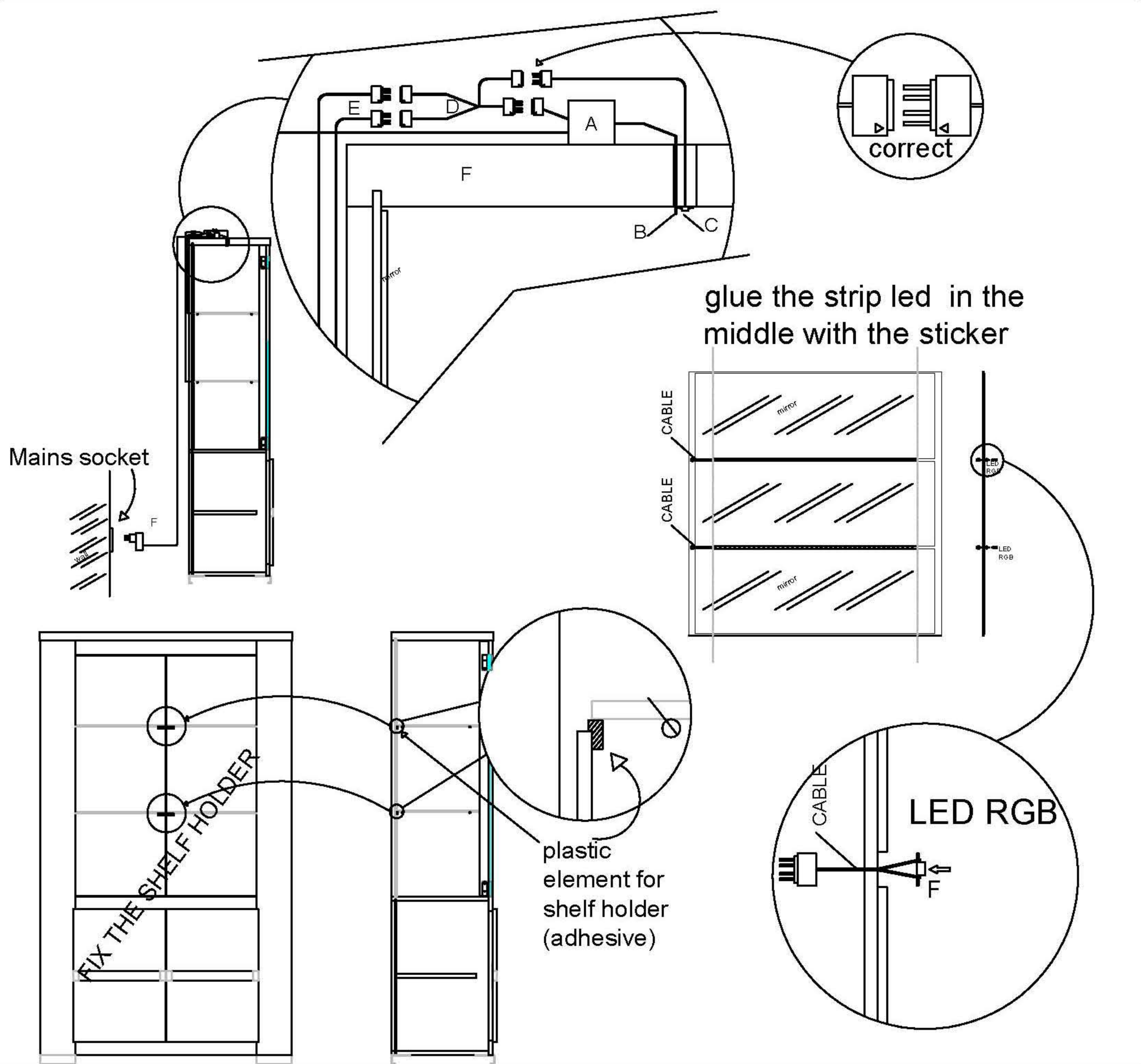
7° TURN THE VITRINE UP AND FIX THE TOP



PUT THE FEET  
(THE BACK ONLY  
3 POINT)

FIX THE TOP



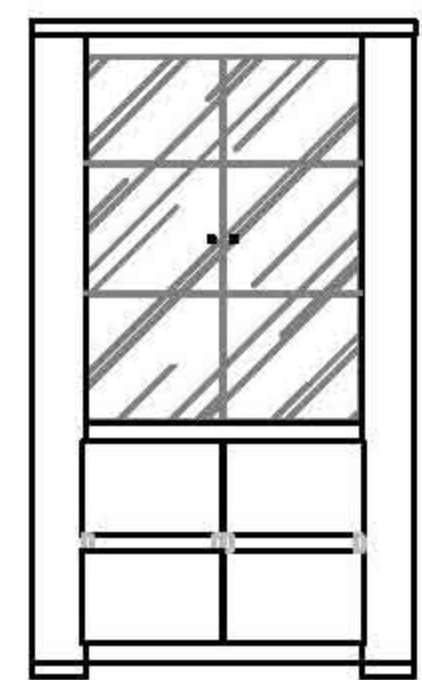


### Legend

A	LED controler
B	Remote control antenna
C	Strip LED rgb for top
D	Cable multi conection
E	Cable strip LED RGB for shelve
F	Mains wire

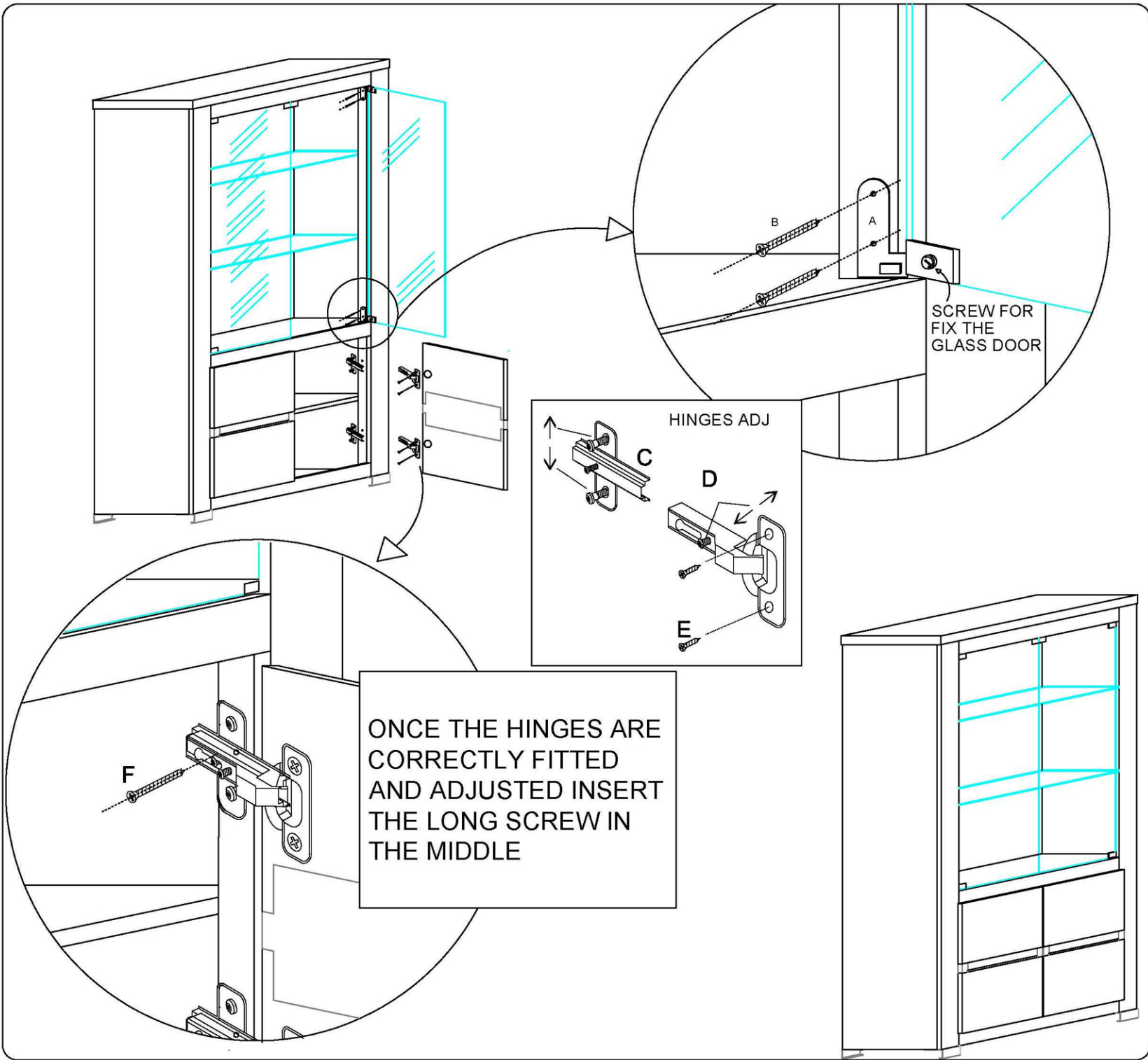
### Fitting check list

01	01 x	complete hardware for assembling



### Status

Tipologia	Elegance
Codice	A2
Project	2 / DOORS VITRINE (3)
Status - Albina di Gaiarine (Italy)	
www.statusitaly.it	

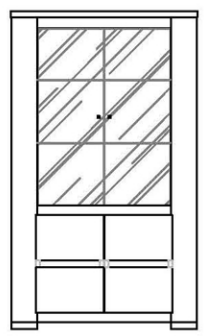


### Legend

A	Hinges for glass door
B	screw 4x30 TC
C	hinge base
D	hinge
E	screw 3x16 TSP for fix hinges
F	hinge fixing screw 4x25 TSP

### Fitting check list

01	01 x	complete hardware for assembling



### StatuS

Tipologia	Elegance
Codice	A2
Project	2 / DOORS VITRINE (4)