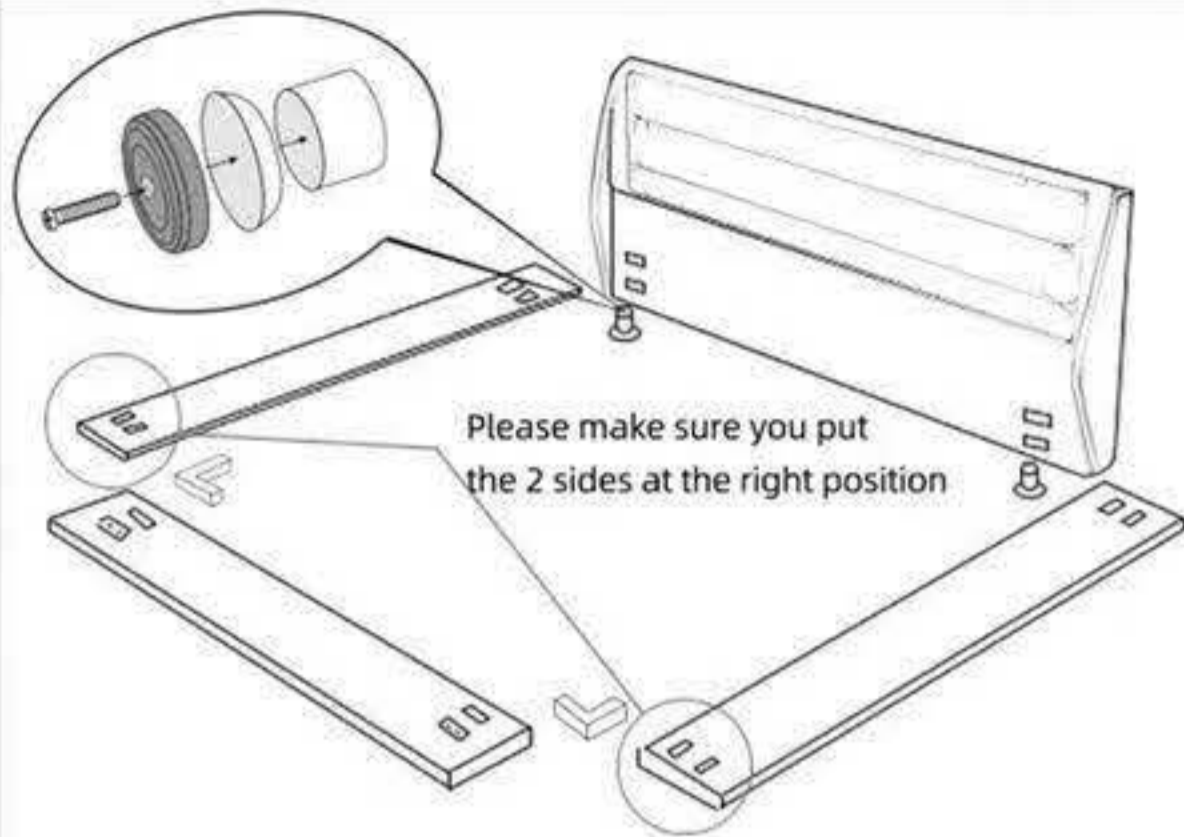


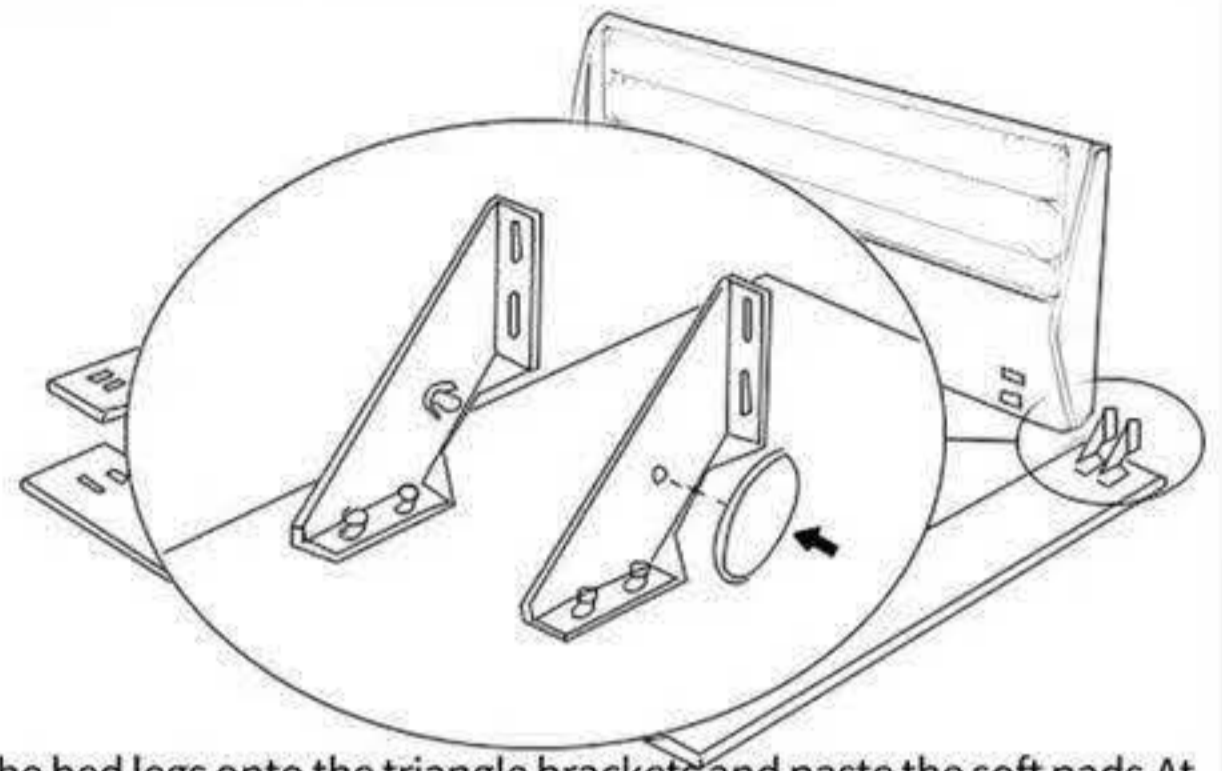
Installation diagram (Bed NO:855)

STEP1



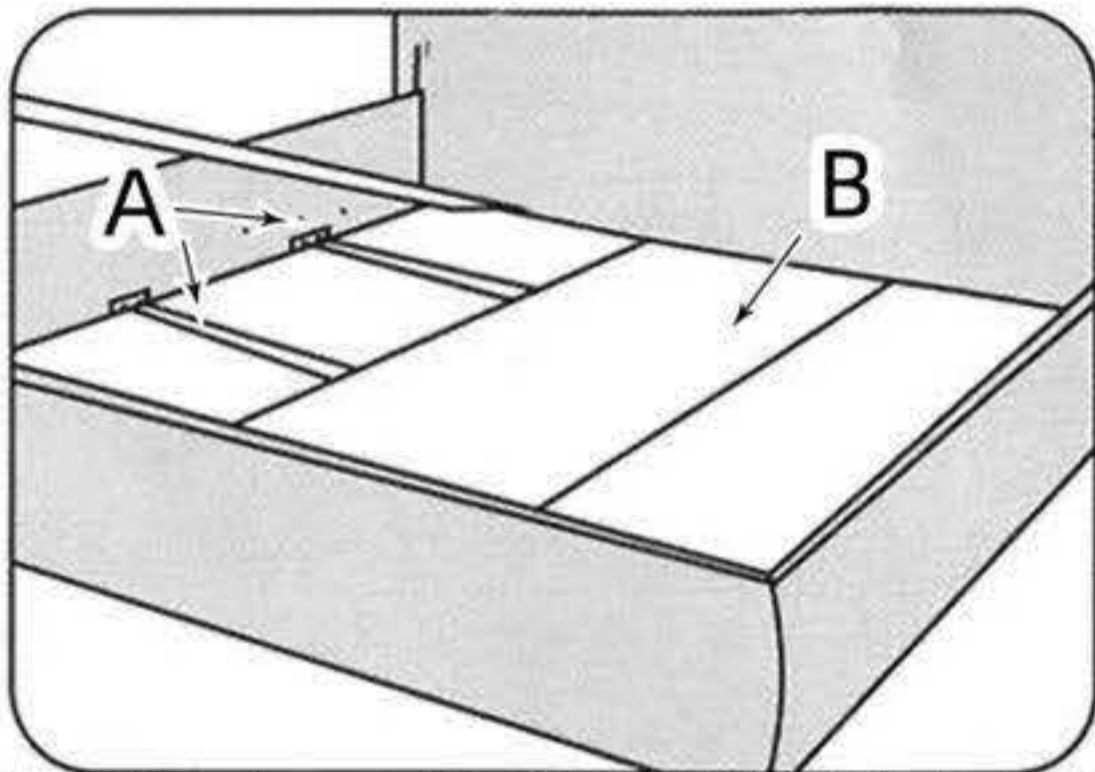
Please put the main 4 pieces as shown in photo.

STEP2



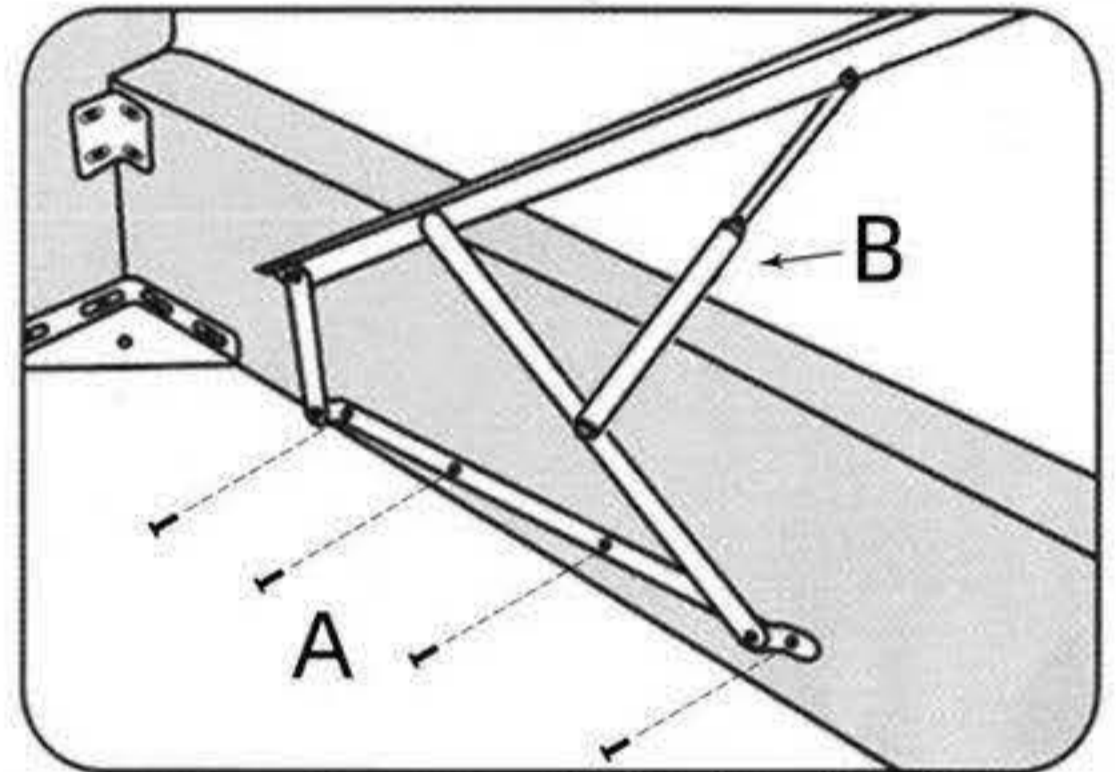
Put the bed legs onto the triangle brackets and paste the soft pads. Attach those 8 triangle brackets onto the 2 sides of the bed. Please keep the bolts and nuts loose and do not tight up at this stage.

STEP3



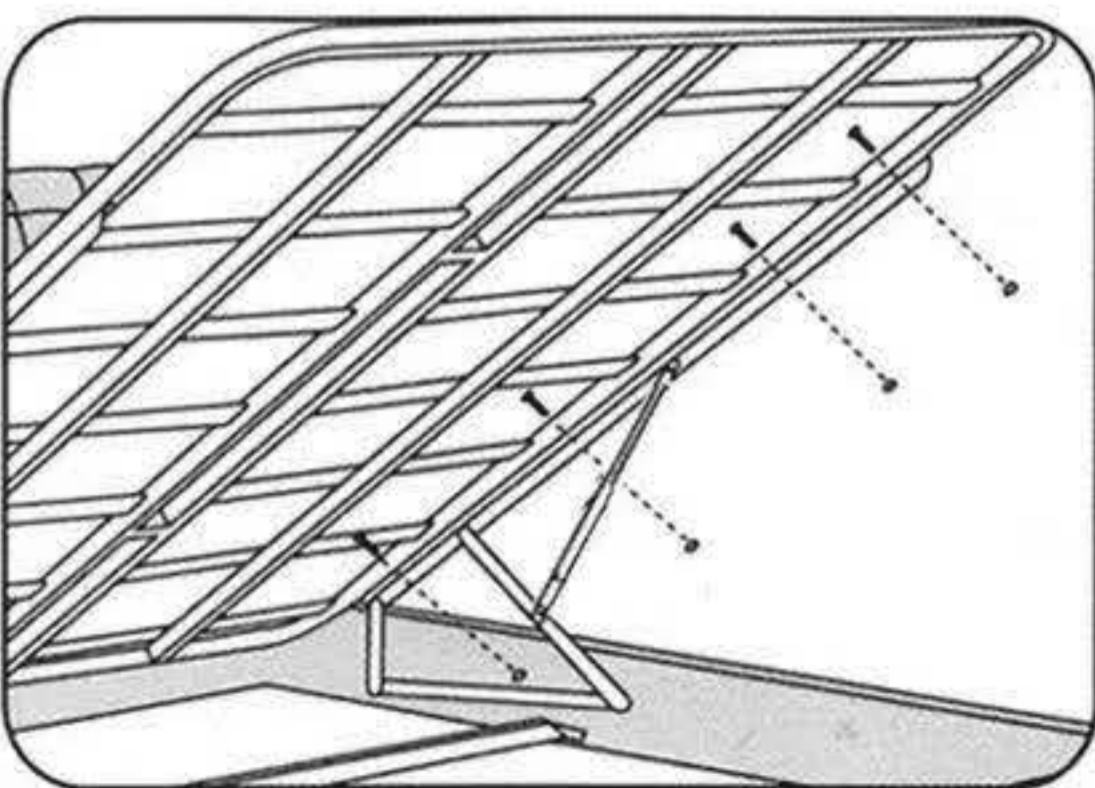
A: Install the balance strut and the small feet at the head / tail of the bed to support the pneumatic box plate.
B: Place the pneumatic box plate in the front seat.

STEP4



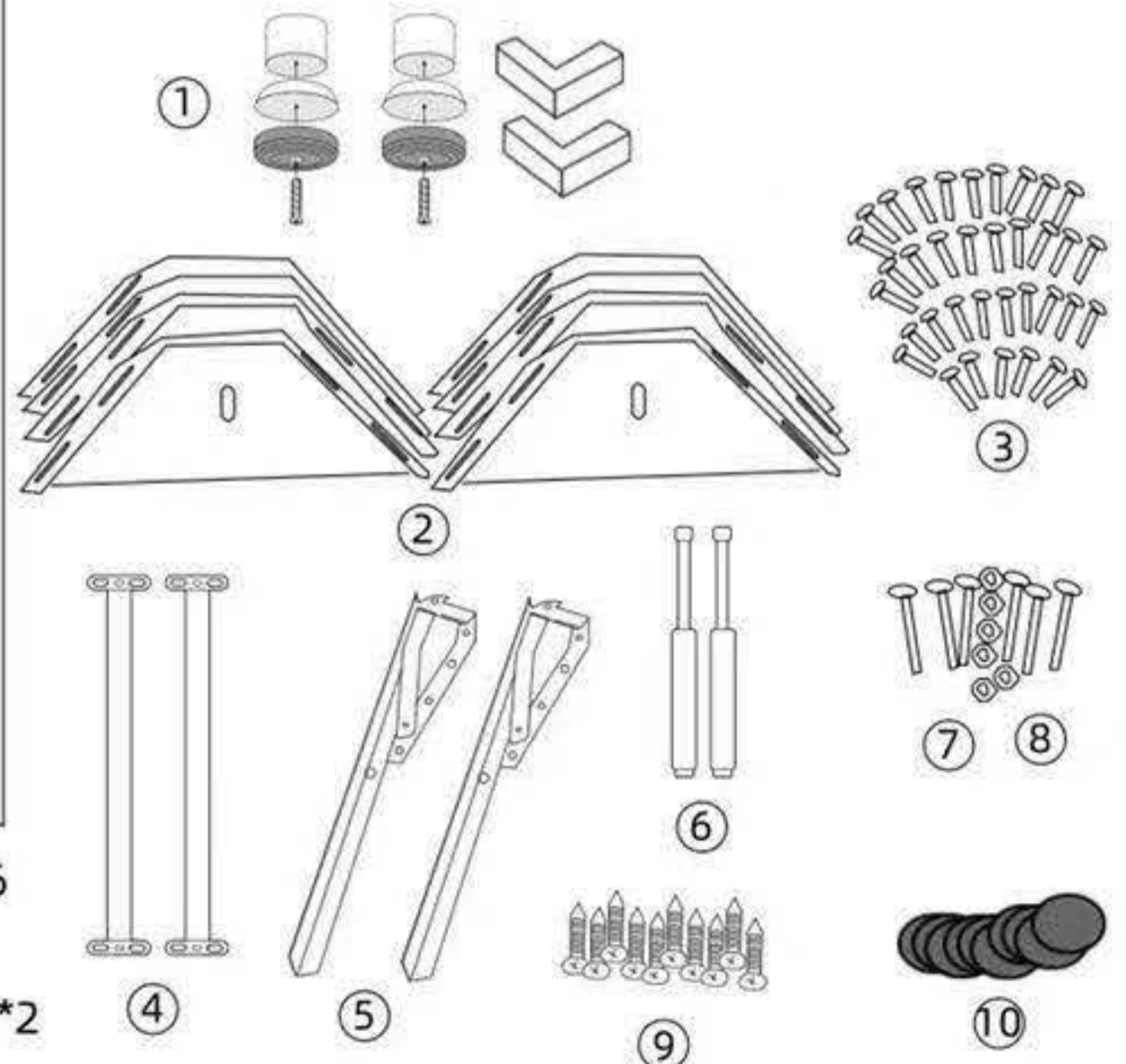
A: Install the pneumatic rod bracket with four screw holes.
B: Support the pneumatic support and install the pneumatic rod.

STEP5



Install the row frame on the pneumatic support and tighten it with screws and nuts.

Parts list



注: ① Bed Leg*4 ② Triangle Bracker*8 ③ Screw*36
 ④ Balance Strut*2 ⑤ Box Support*2
 ⑥ Air Pressure Bar*6 ⑦ Nut*6 ⑧ Small Bracker*2
 ⑨ Tapping Screw*10 ⑩ Mute Pad*10