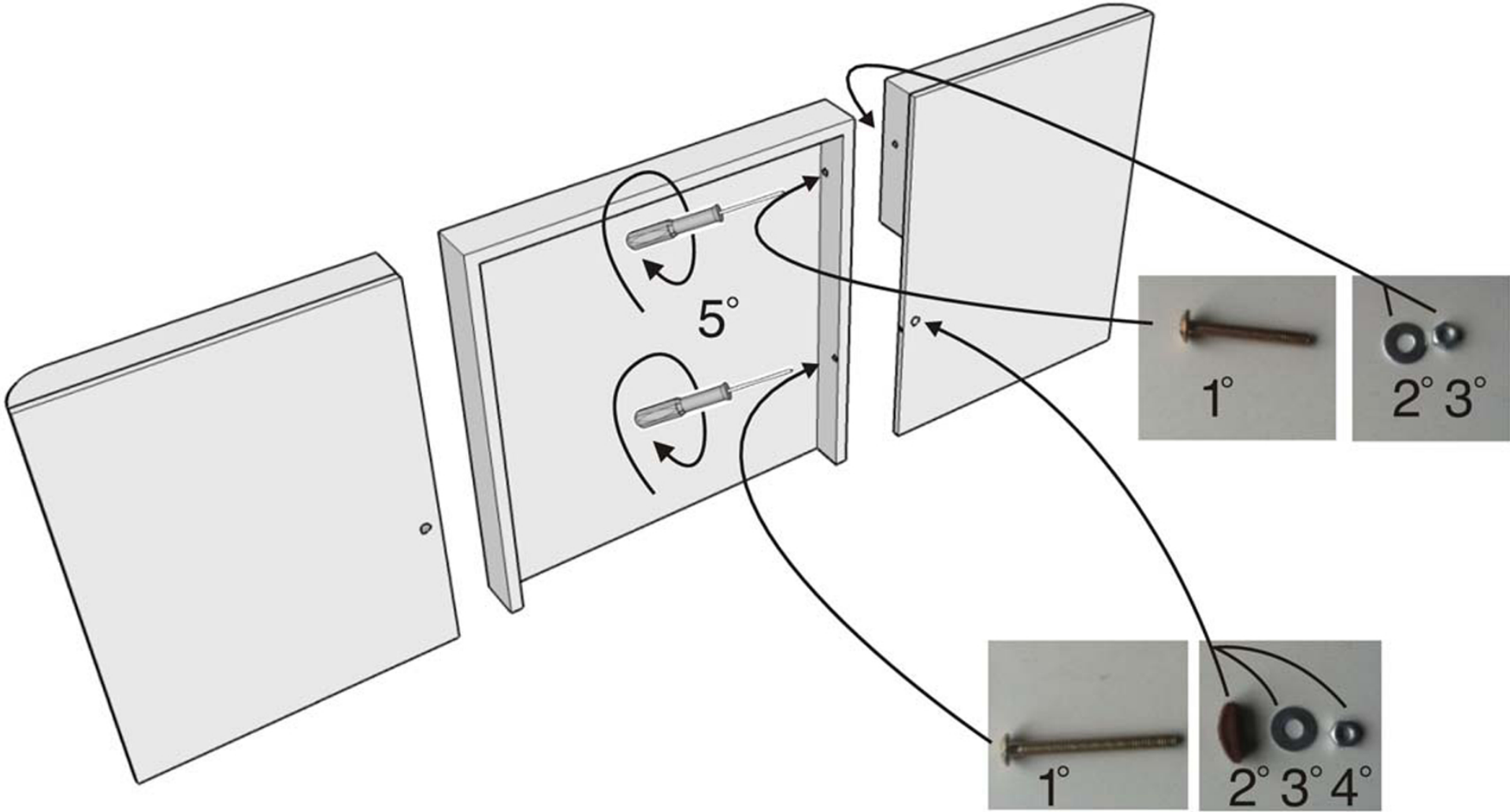
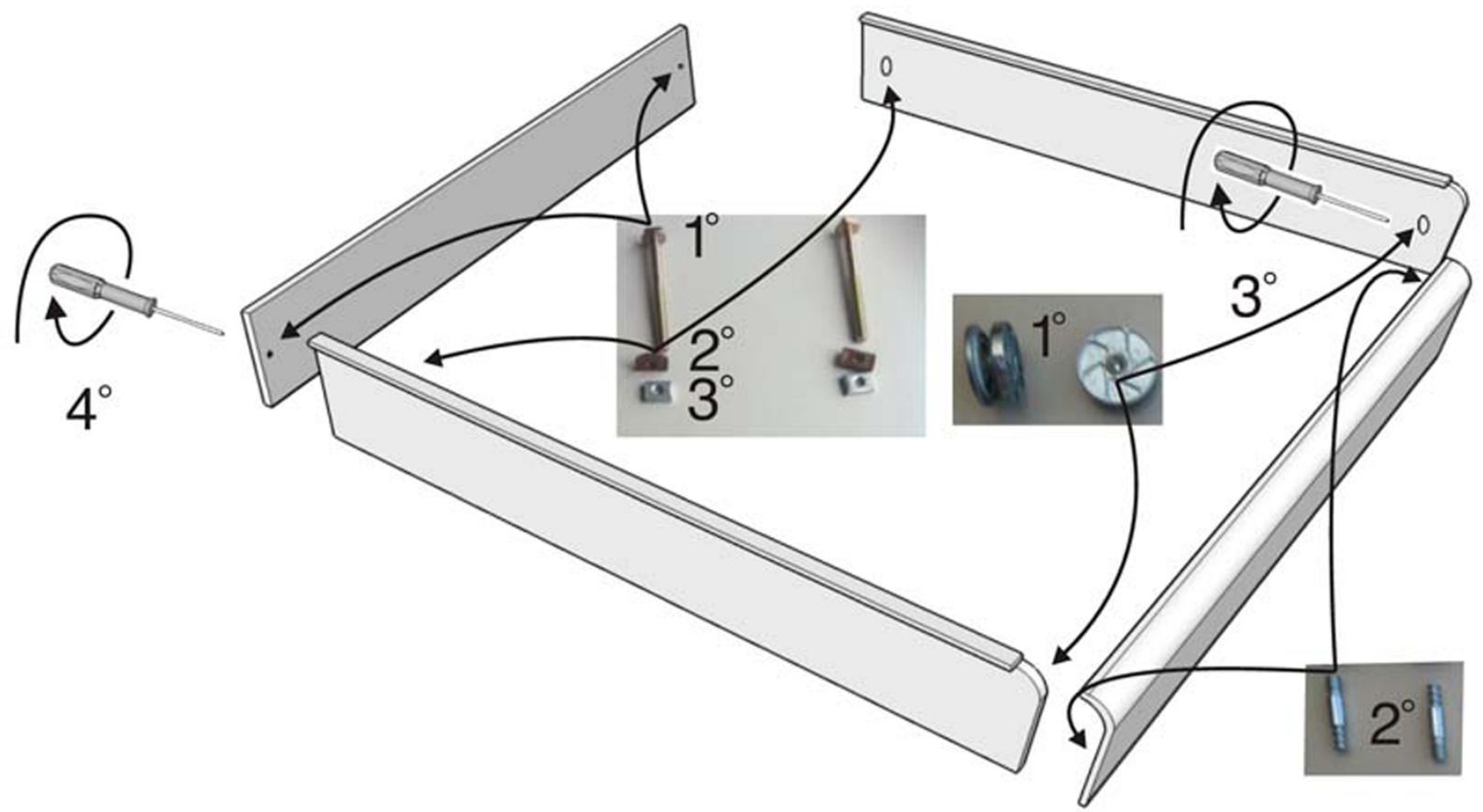


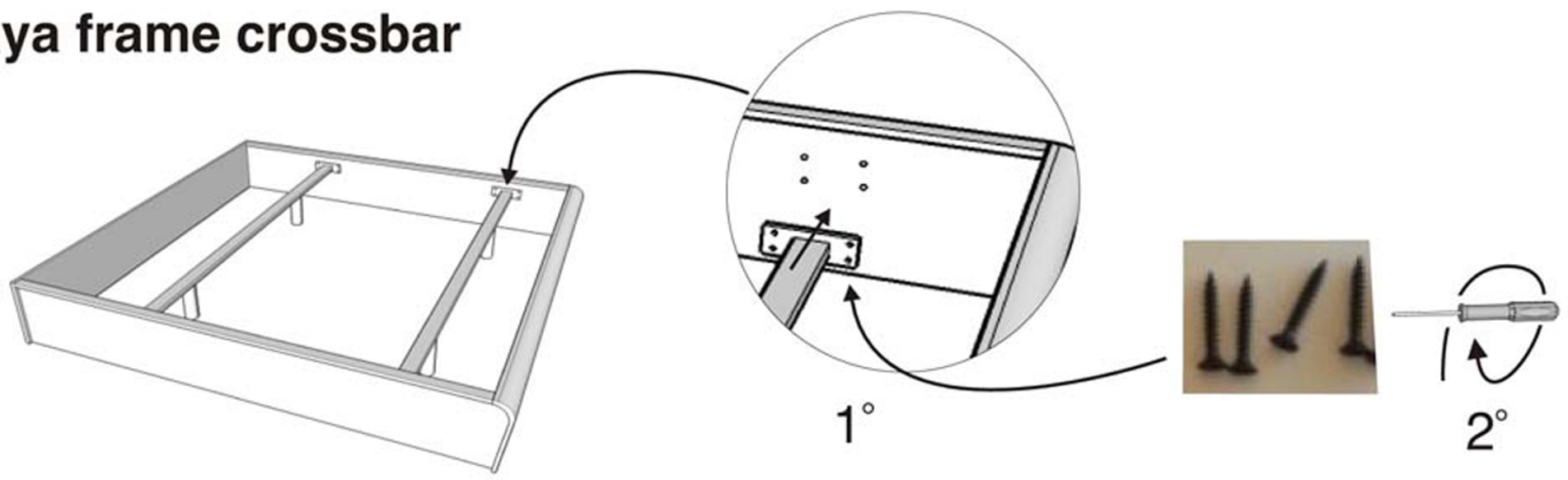
# Maya headboard



# Maya frame

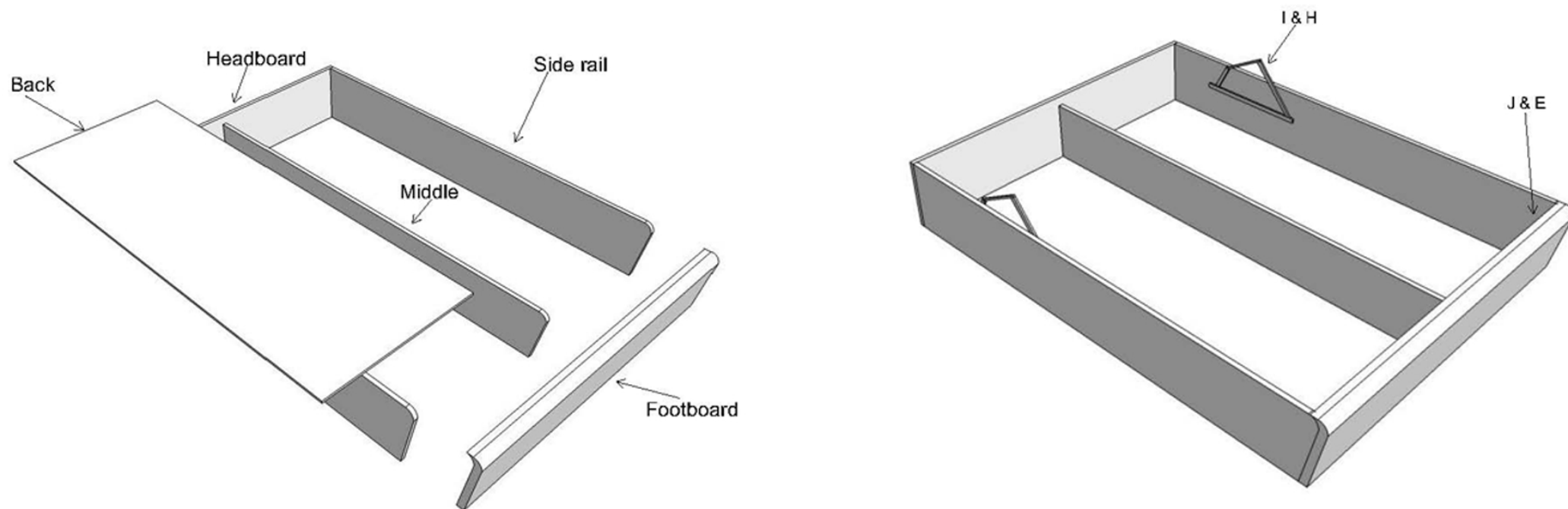












# Maya frame crossbar



## ASSEMBLY INSTRUCTIONS MAYA STORAGE BED

1. Fix de headboard to the side rails and the middle by using the hardware A, B, C & D.
2. Fix the footboard the same by using the hardware F & G.
3. Fix the backs in the interior spaces assembled.
4. Screw the piston of the shock absorbers (I) and then mount them to the side rail using hardware (H).
5. Add the corner brackets (J) to the side rails and the footboard using hardware (E).
6. Fix the slat frame to the shock absorbers.



A	B	C	D	E	F	G	H	I	J
									
X 3	X 3	X 3	X 3	X 12	X 3	X 3	X 6	X 2	X 2