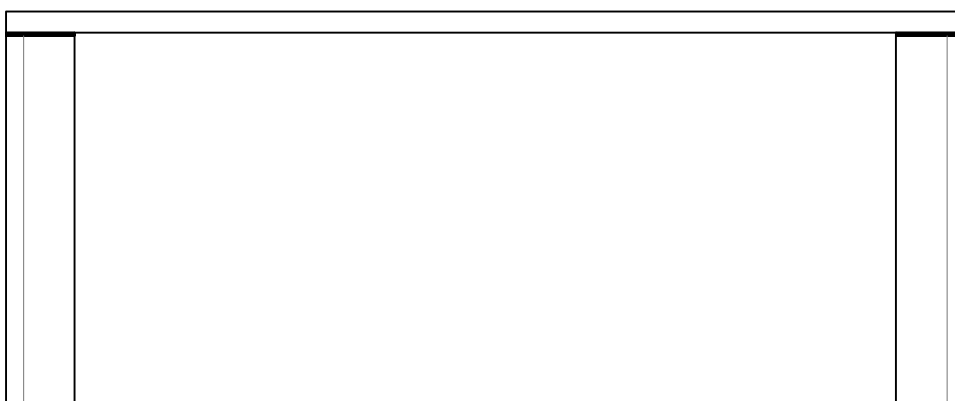
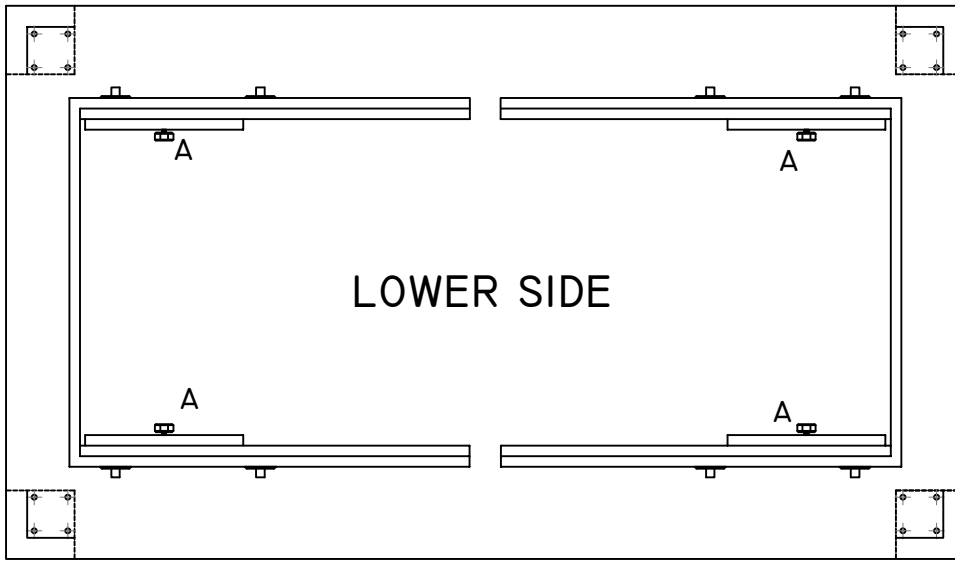
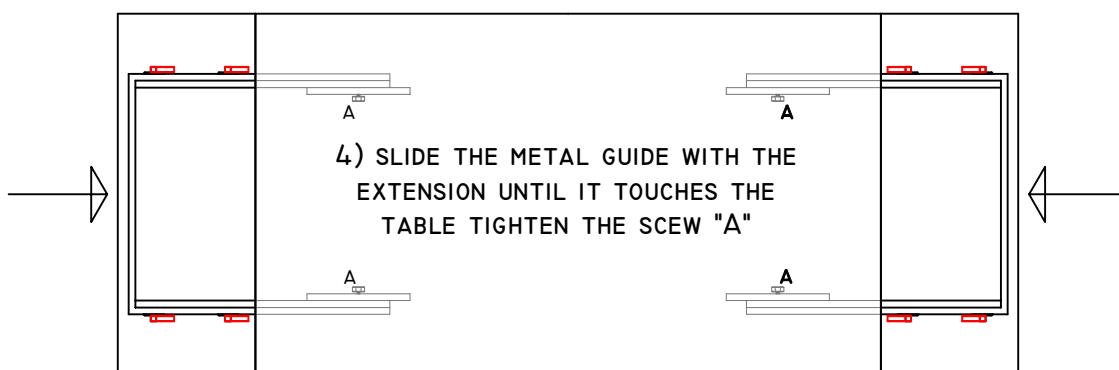
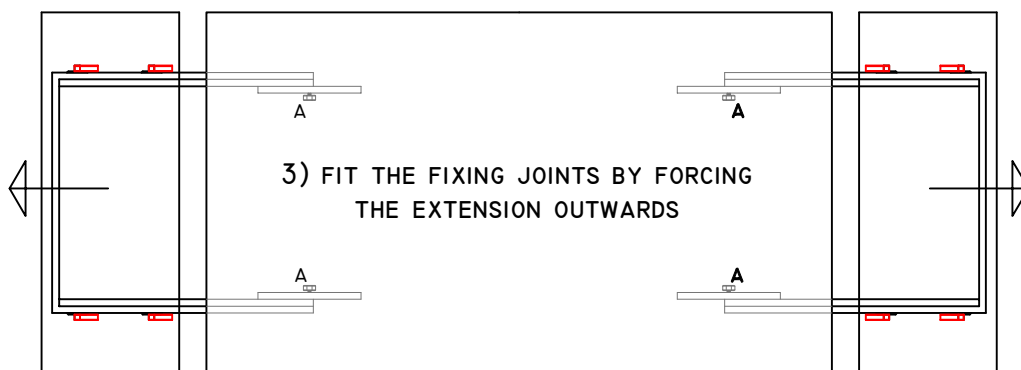
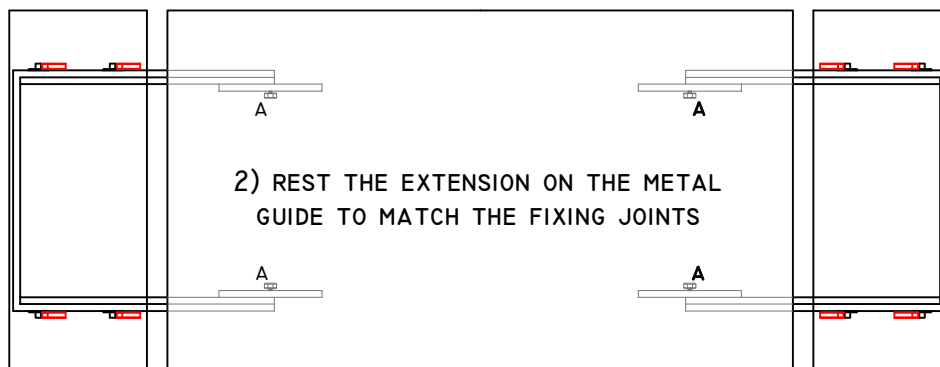
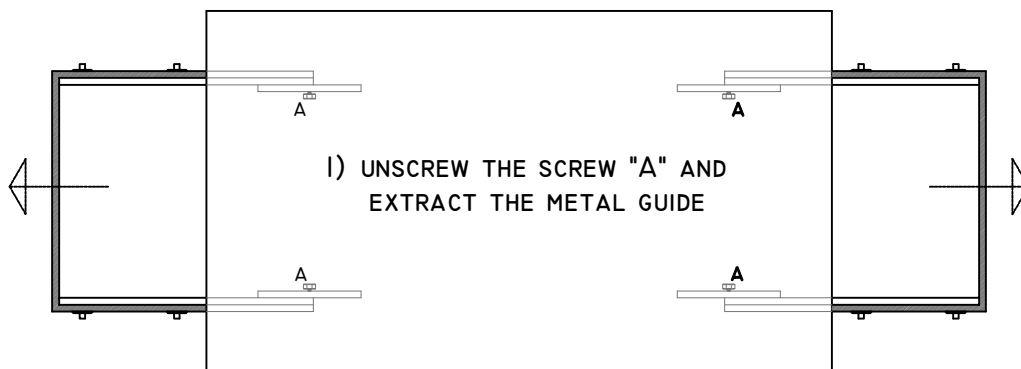


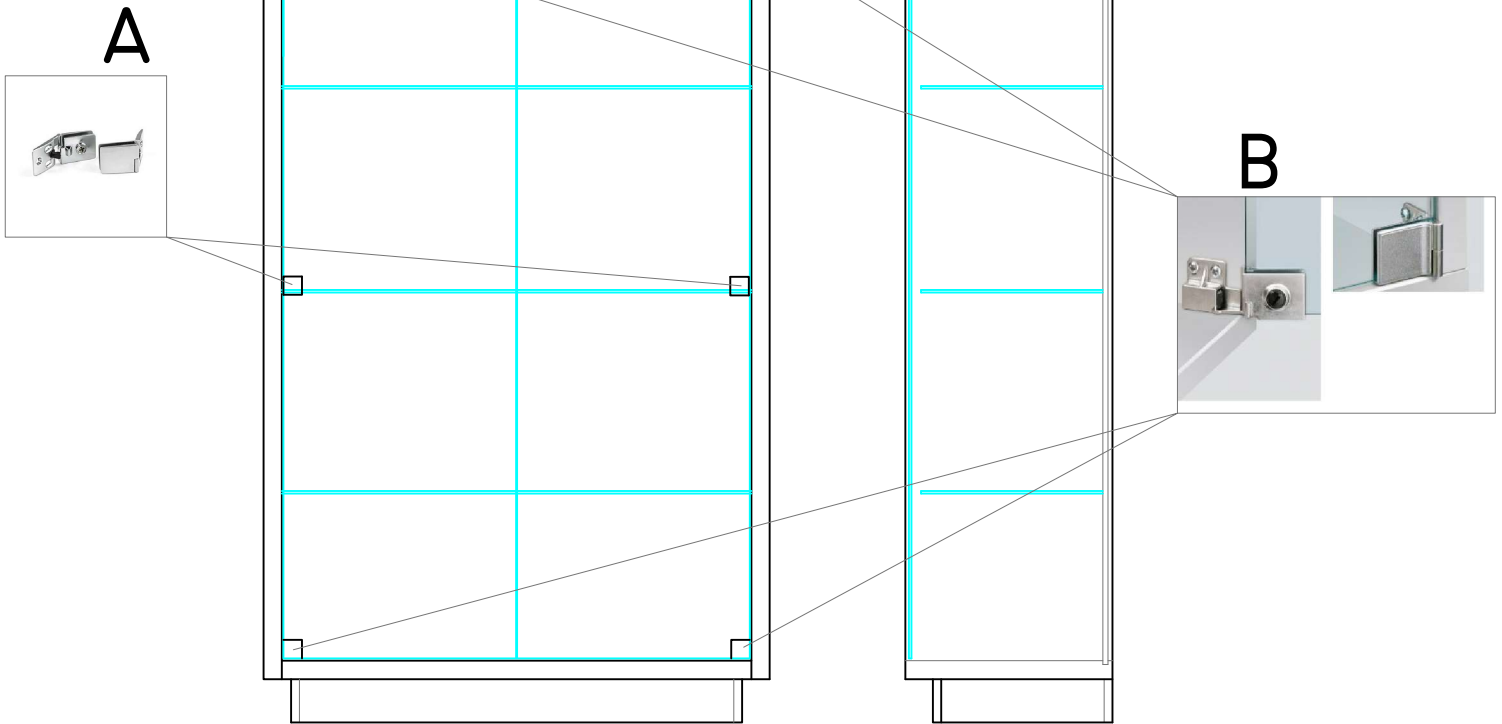
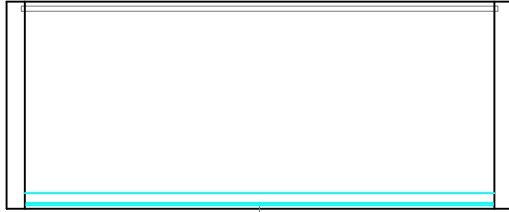
ASSEMBLY INSTRUCTIONS MANGANO TABLE LEGS



ASSEMBLY INSTRUCTIONS
MANGANO TABLE EXTENSIONS



2D CURIO MANGANO



- 1) PLACE THE HINGE A IN THE MIDDLE OF THE SIDES AND THE HINGE B ABOVE AND BELOW
- 2) PLACE THE ADHESIVE ON THE OUTSIDE GLASS AT THE HINGES
- 3) ACCOMODATE THE GLASS DOORS INSIDE THE HINGES AND LOCKED