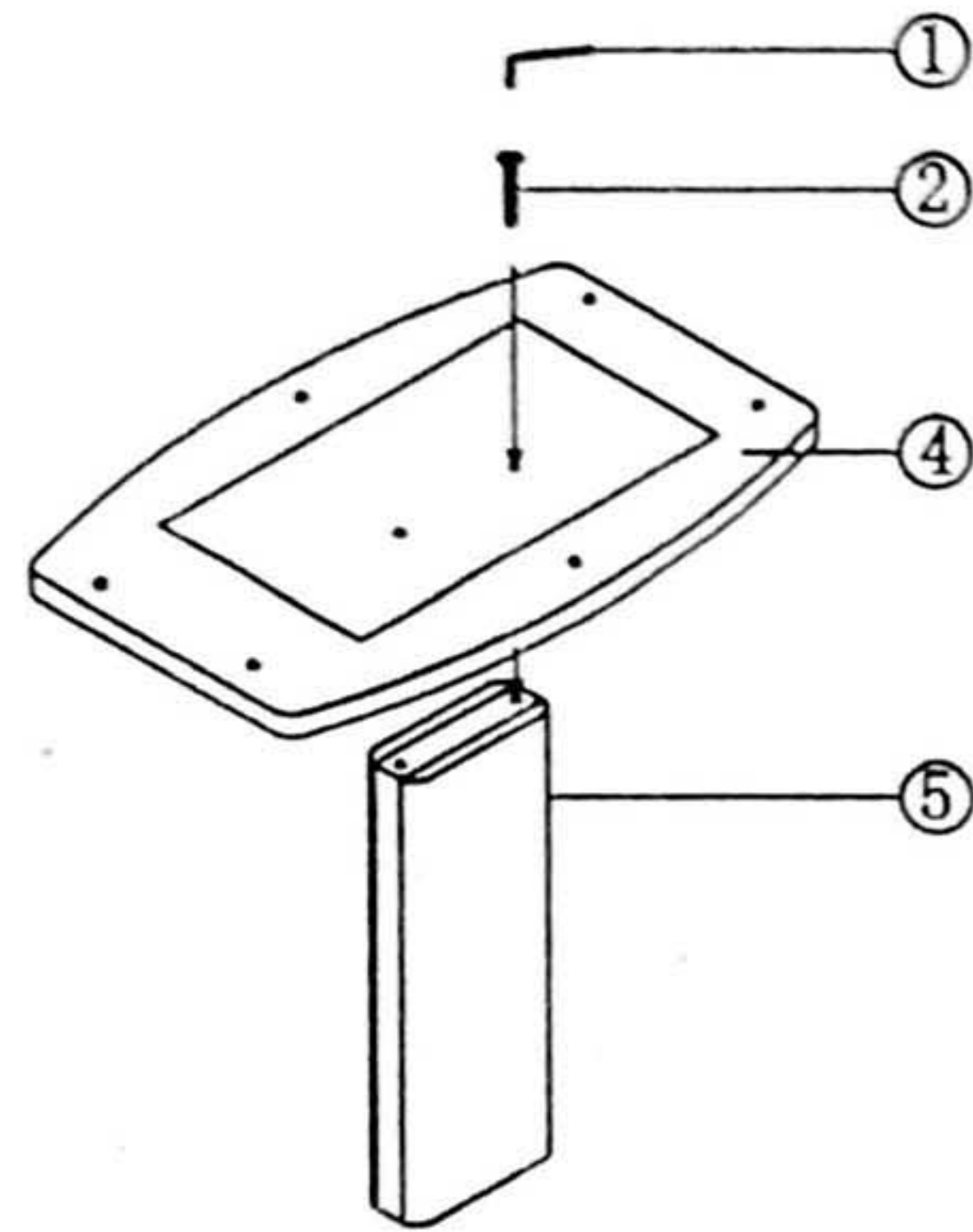
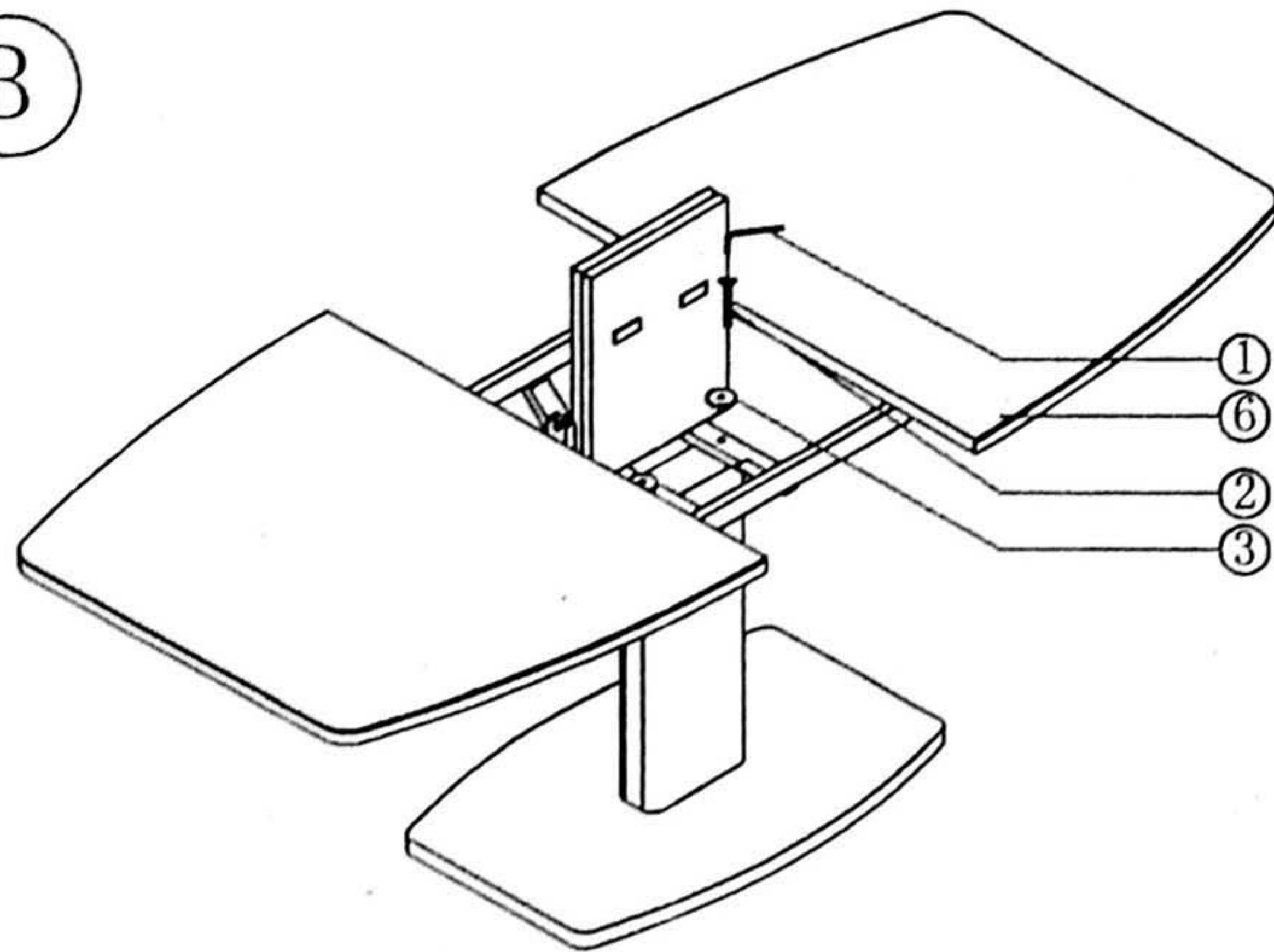




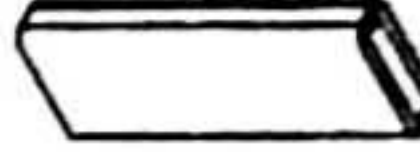
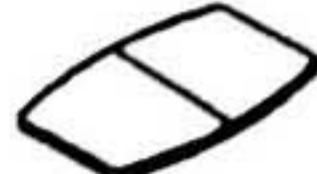


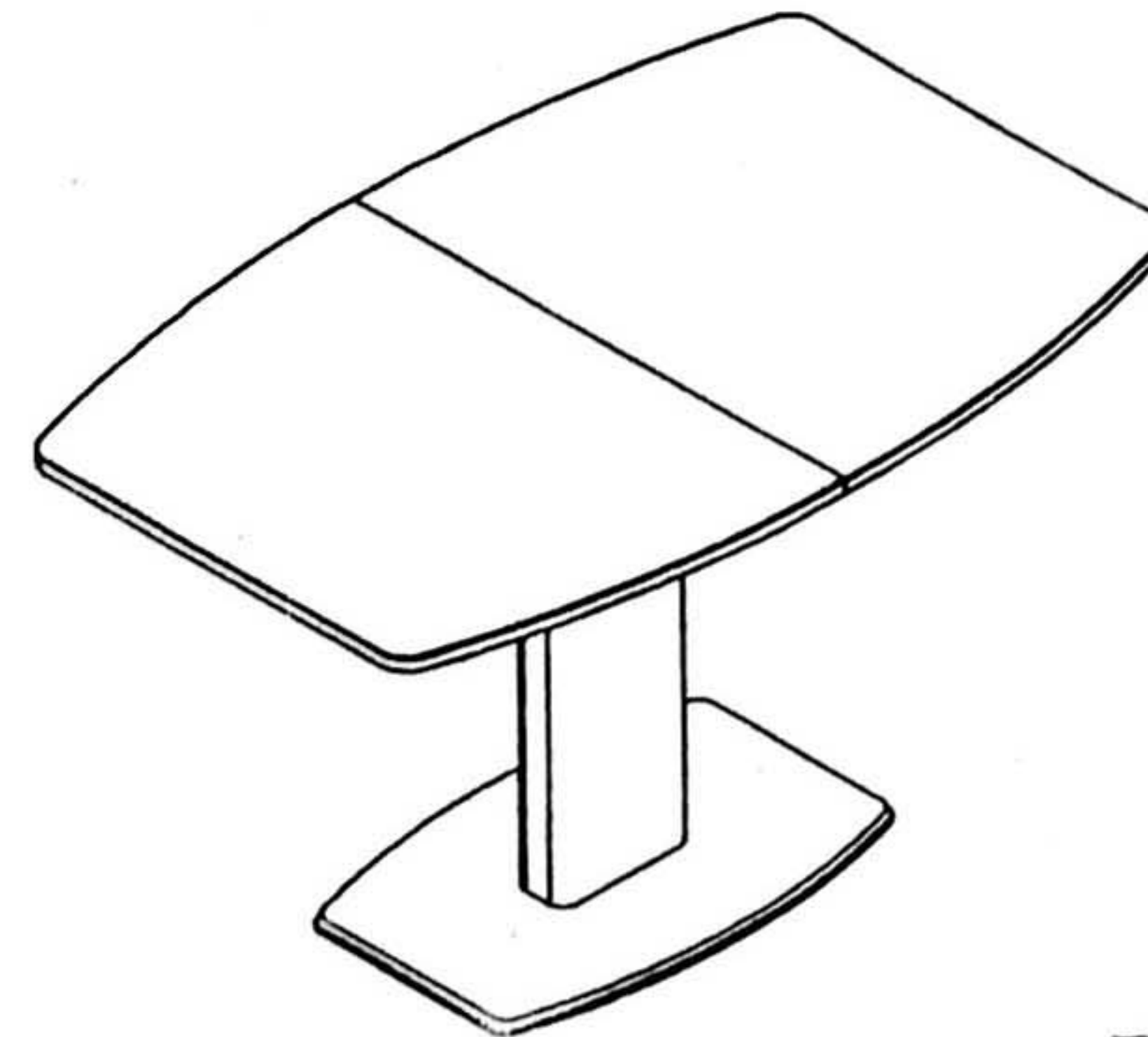
A



B



NO	FORM	IDENTIFICATIONS	QTY	REMARKS
①		ALLEN KEY	1	
②		DORMANT INNER HEXAGON SCREW	4	
③		BOLT WASHER	2	
④		BOTTOM BOARD	1	
⑤		WOODEN PILLAR	1	
⑥		TOP BOARD	1	



B2396-1