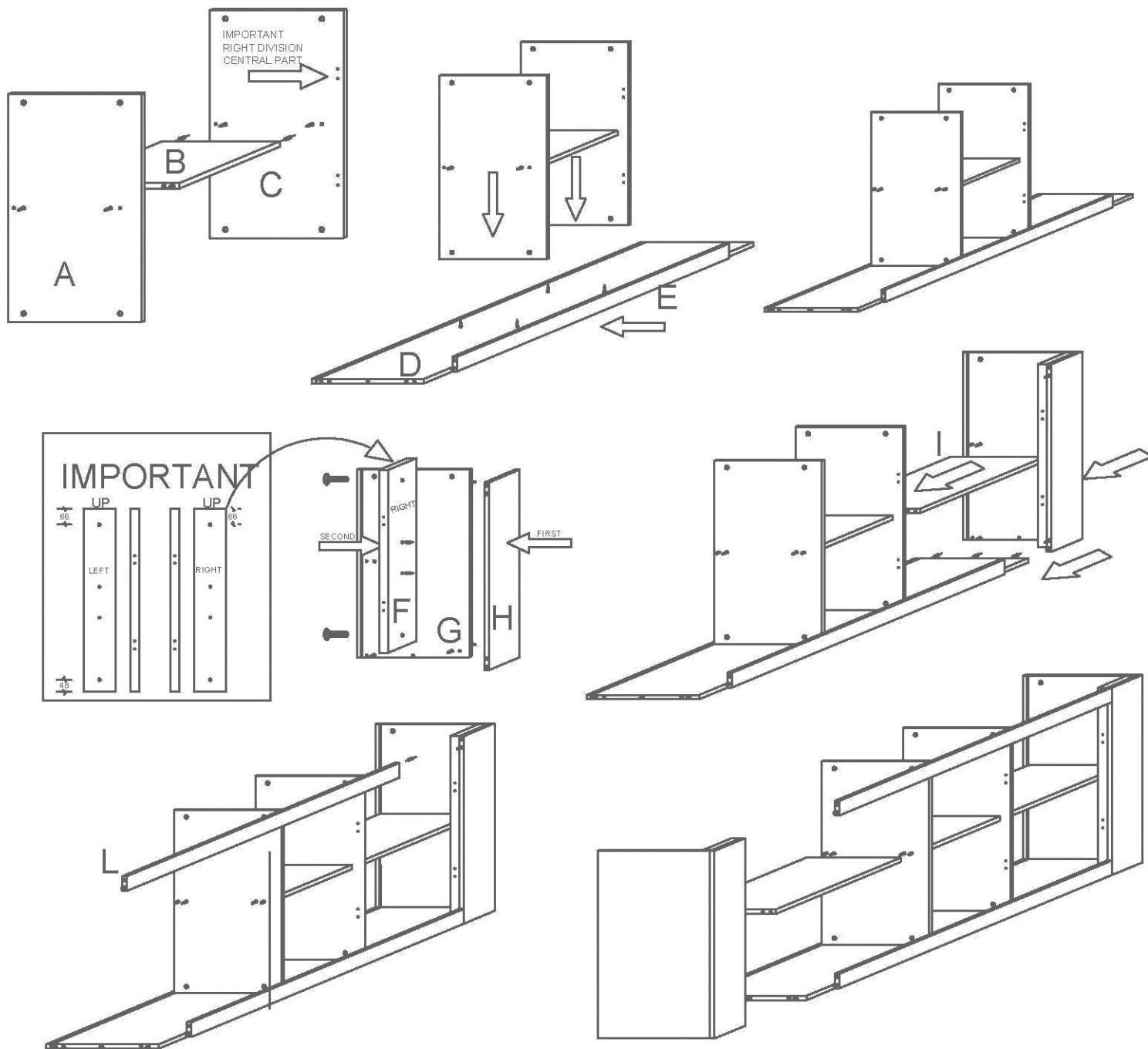


# IMPORTANT: ASSEMBLING THIS UNIT NEEDS MINIMUM 2 PERSONS

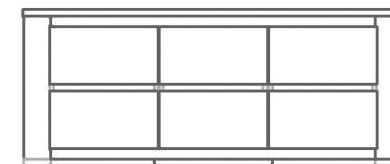


## Legend

A	Left division
B	central shelf (smaller)
C	Right division
D	Bottom
E	smaller trims for bottom
F	Inside band (left / right)
G	Side (left / right)
H	Frontal trims
I	Shelf lateral (2pcs)
L	smaller trims for top

## Fitting check list

01		Wooden dowels
02		Receiving nuts
03		Cap for receiving nuts
04		Screws for receiving nuts
05		
06		
07		
08		
09		
10		
11		
12		
13		



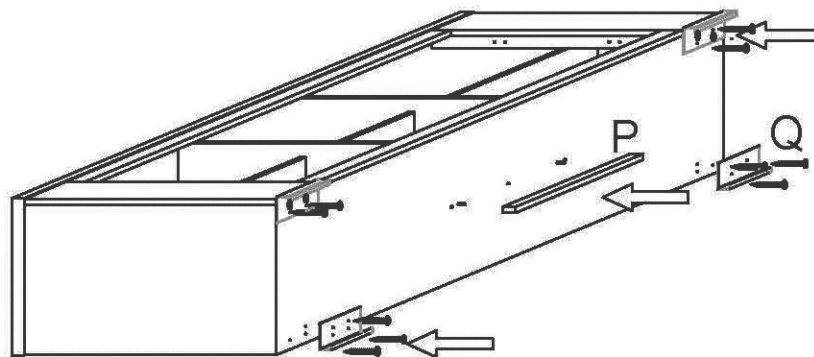
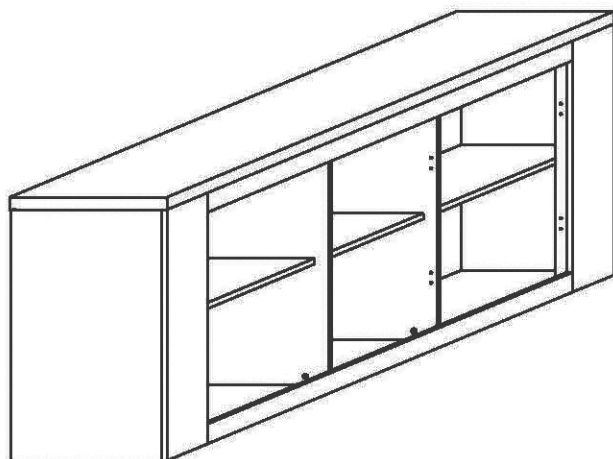
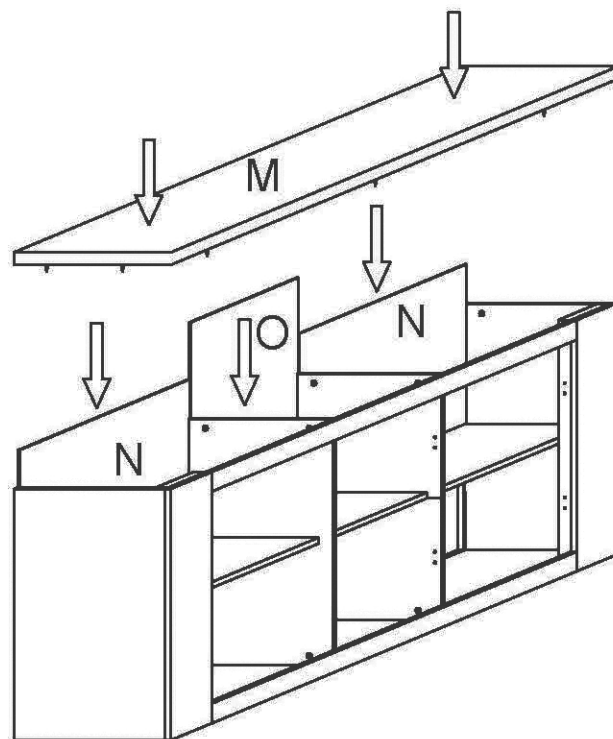
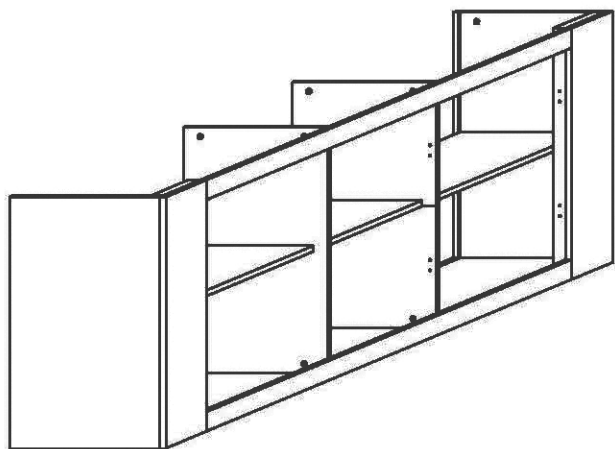
## Status

Tipologia	ELEGANCE
Codice	A2
Project	3 DOORS BUFFET (pag. 1)

Status - Albina di Gaiarine (Italy) - [www.statusitaly.it](http://www.statusitaly.it)

TEL +39 0434 75195 FAX 0434759553


**IMPORTANT: ASSEMBLING THIS UNIT NEEDS MINIMUM 2 PERSONS**

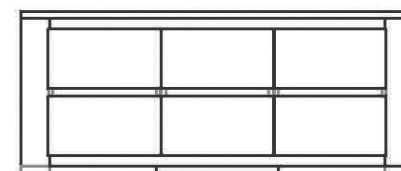


### Legend

M	Top
N	Lateral back panel (2pcs)
O	Central back panel
P	Plint
Q	Feet

### Fitting check list

01		Wooden dowels
02		Receiving nuts
03		Cap for receiving nuts
04		Screws for receiving nuts
05		Screws for feet
06		
07		
08		
09		
10		



### Status

Tipologia	ELEGANCE
Codice	A2
Project	3 DOORS BUFFET (pag. 2)

Status - Albina di Gaiarine (Italy) - [www.statusitaly.it](http://www.statusitaly.it)

TEL +39 0434 75195 FAX 0434759553