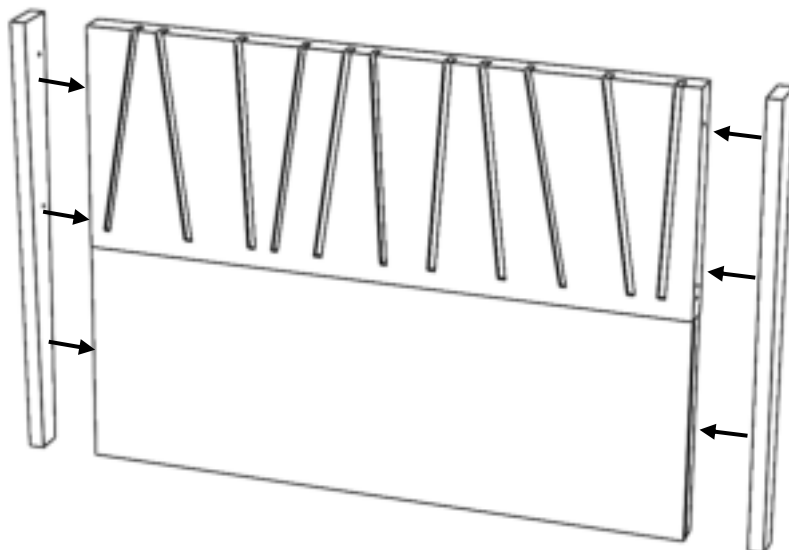
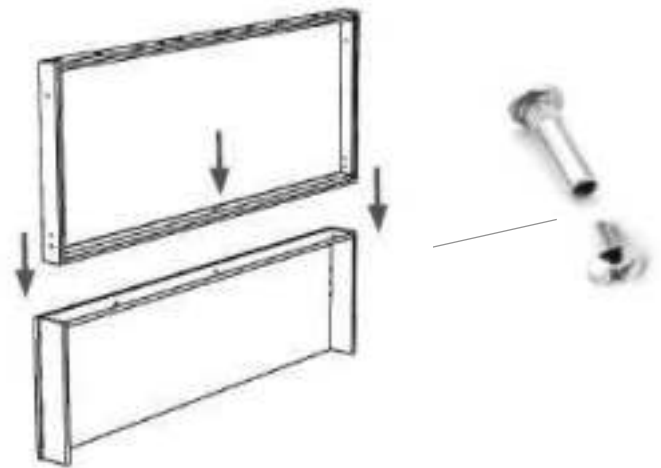
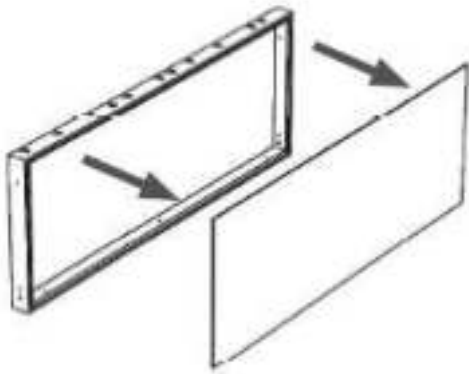
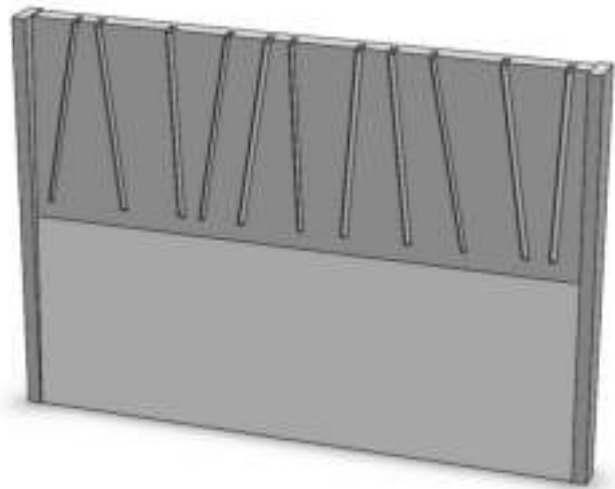
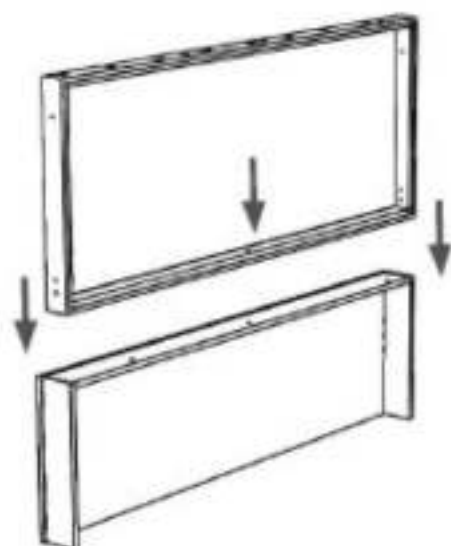
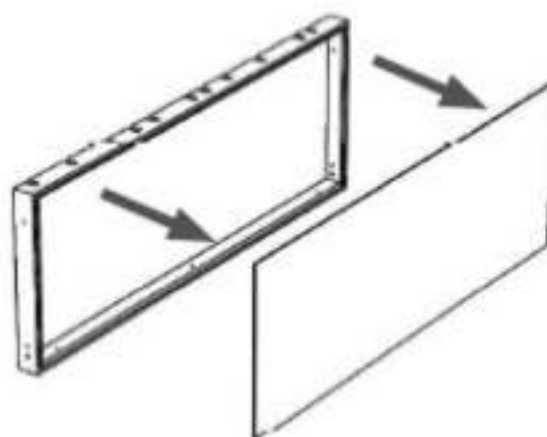
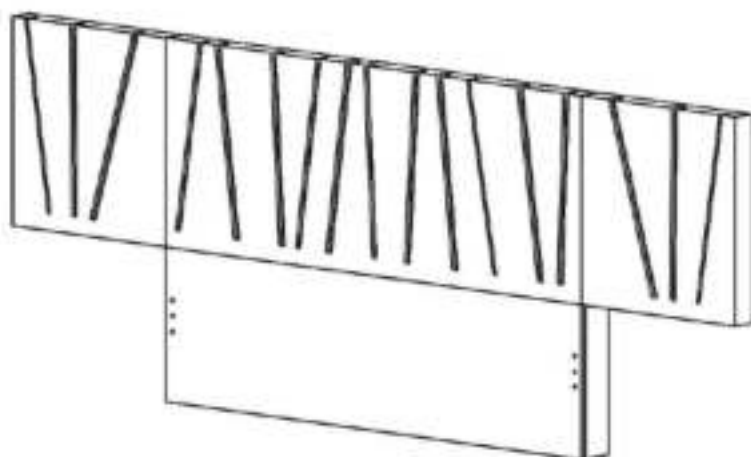


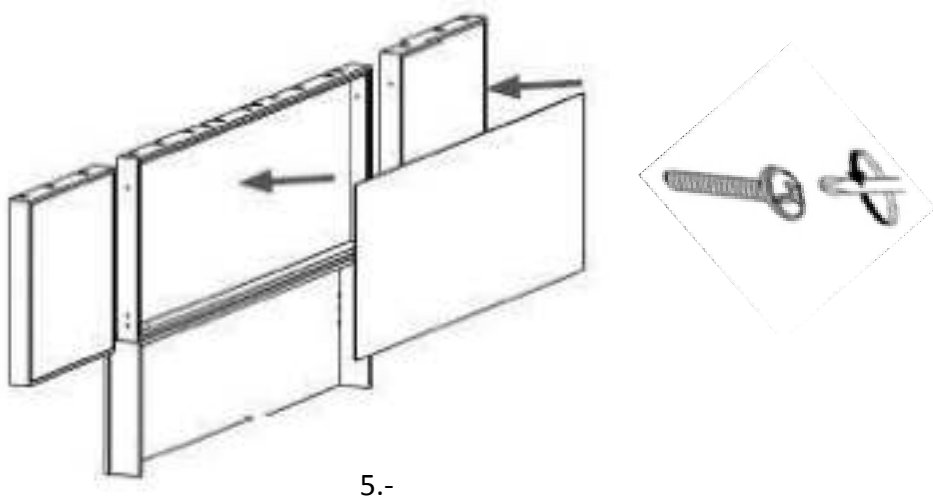
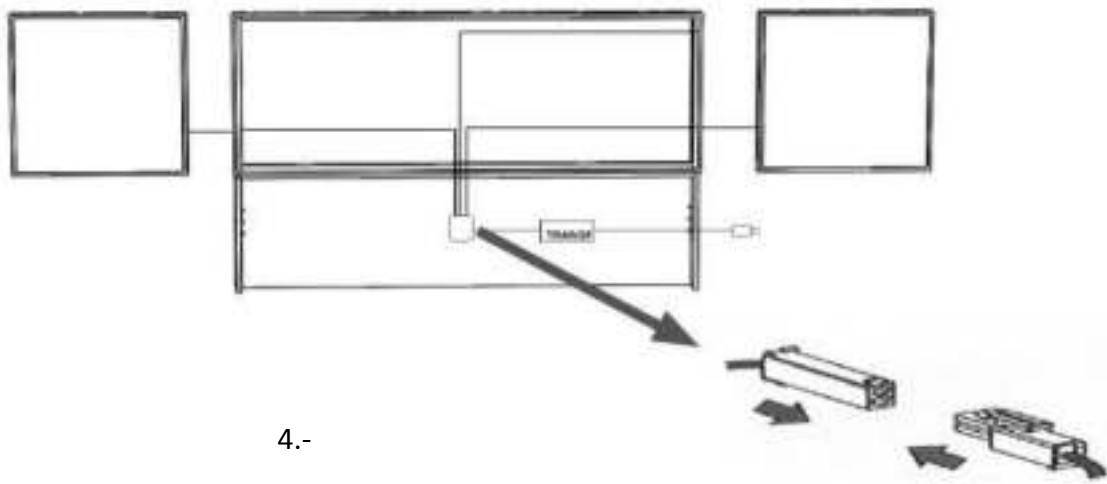
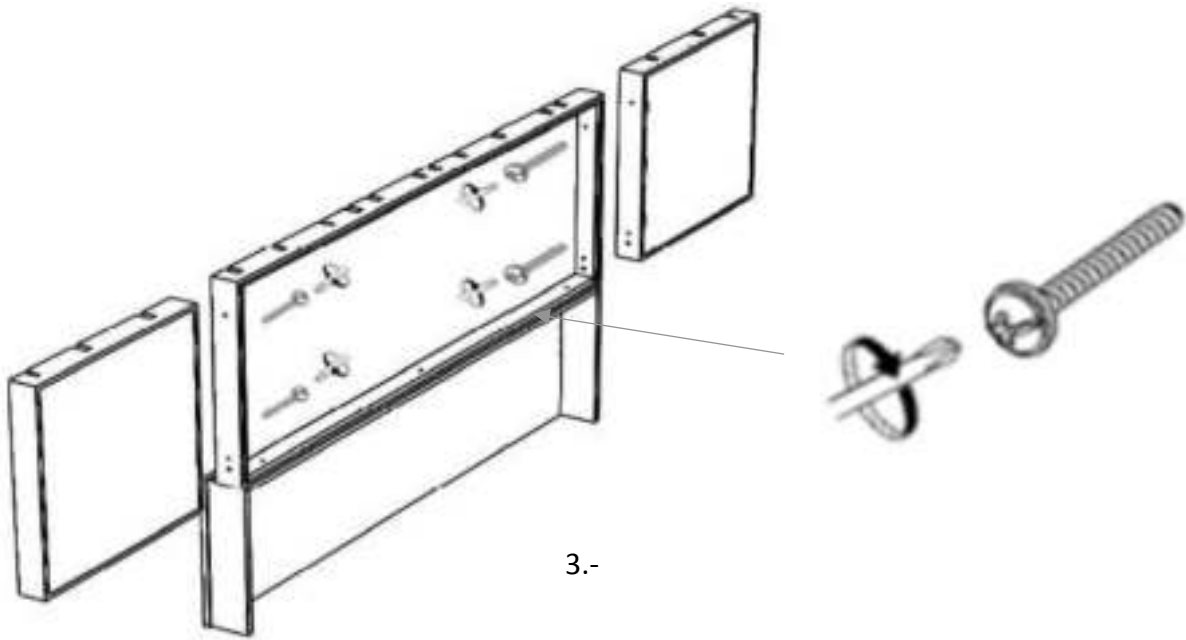
RONDA DALI HEADBOARD

CABEZAL 606 CON COSTADOS

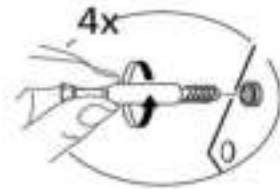
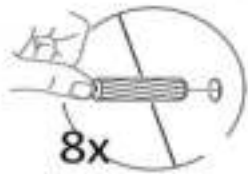
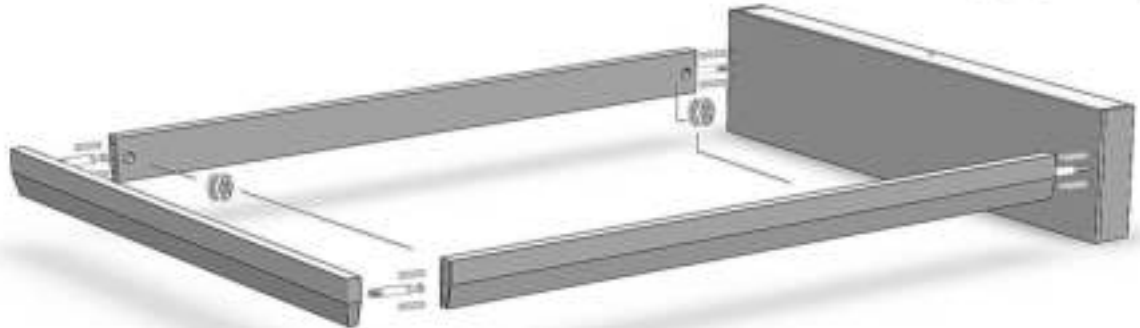
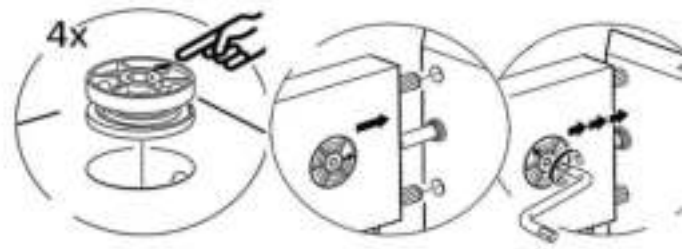
HEADBOARD 606 WITH SIDES



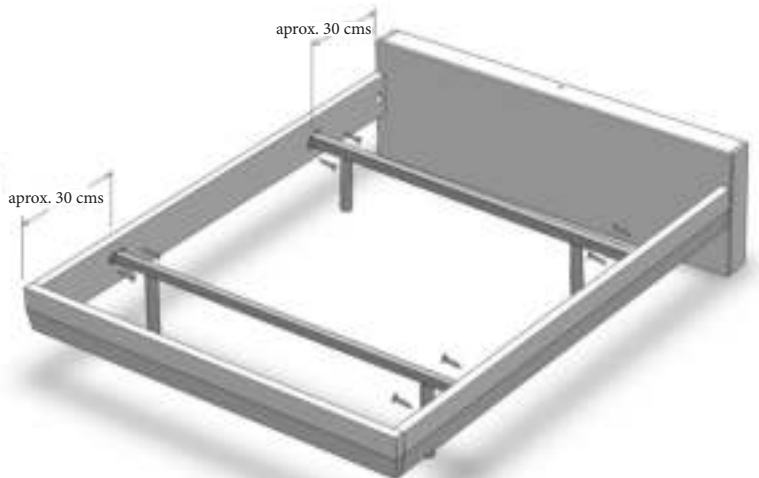




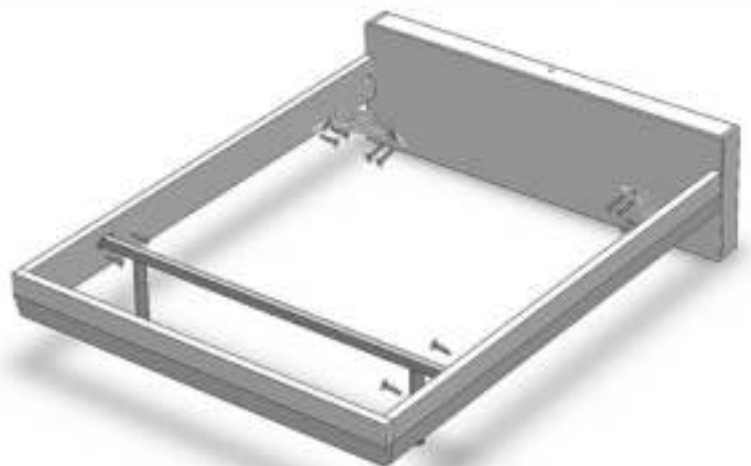
Bañera volada Bed frame volada

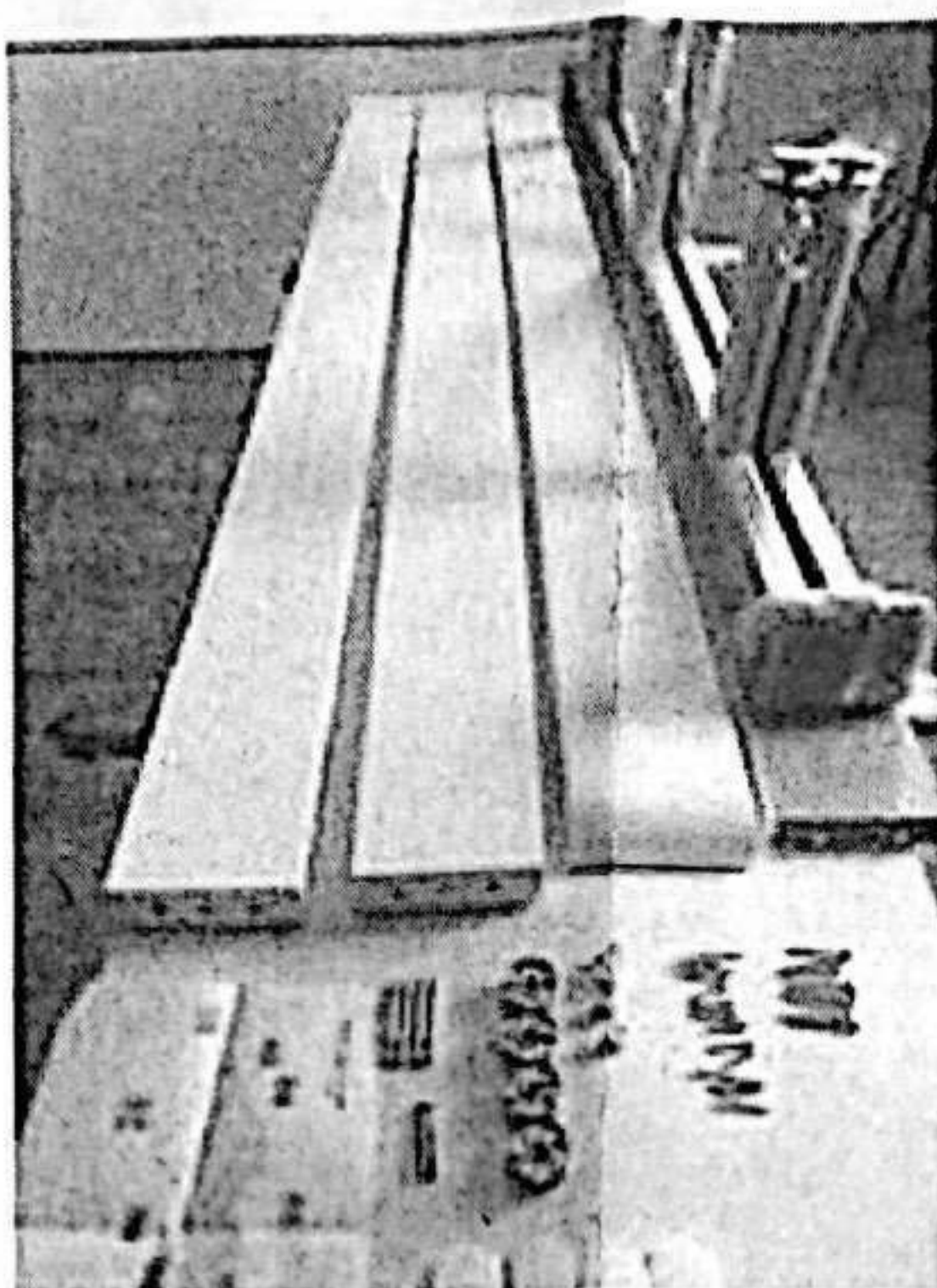
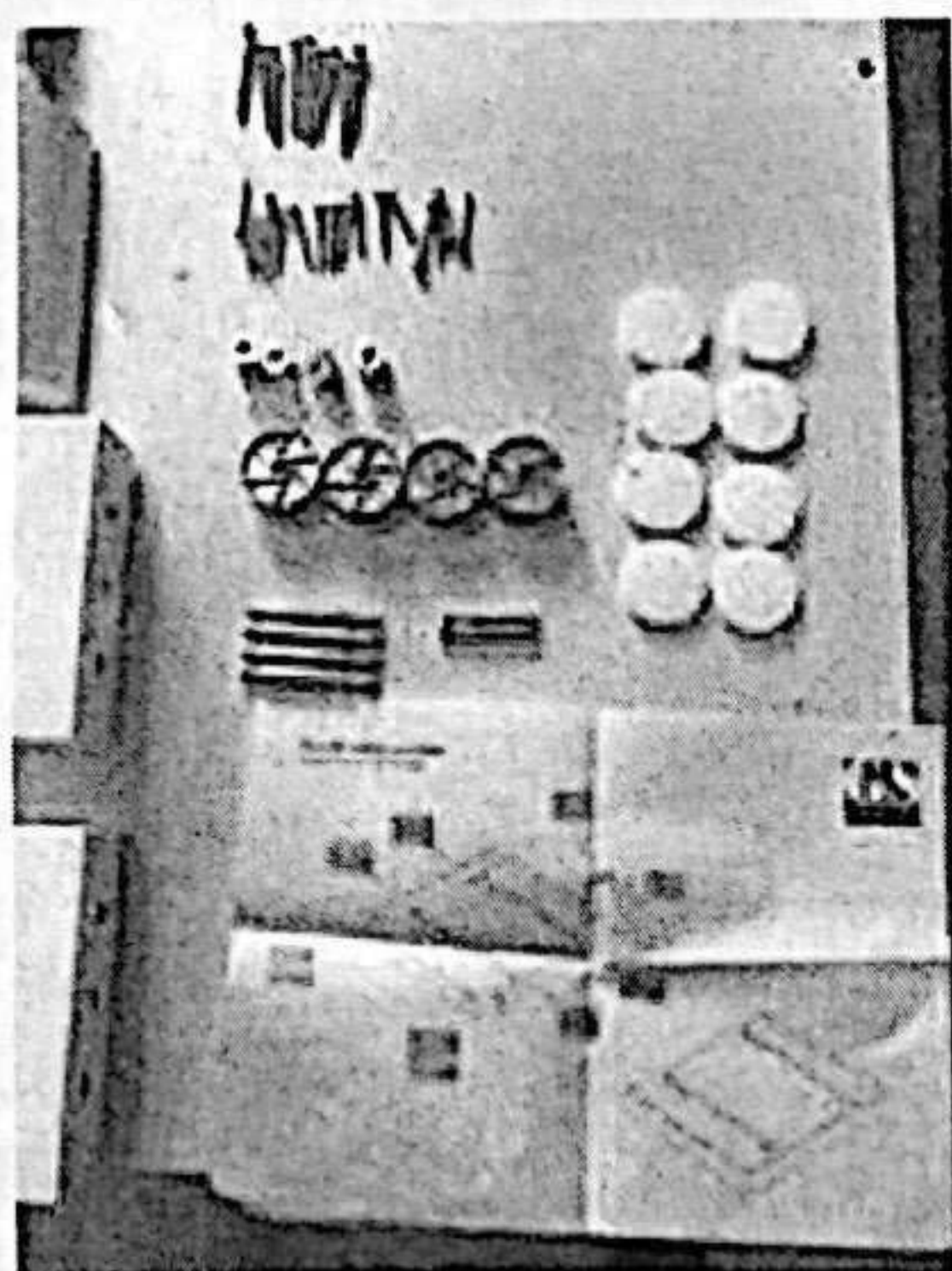


Para medidas de colchón 180 o KS
For mattress measures 180 or KS

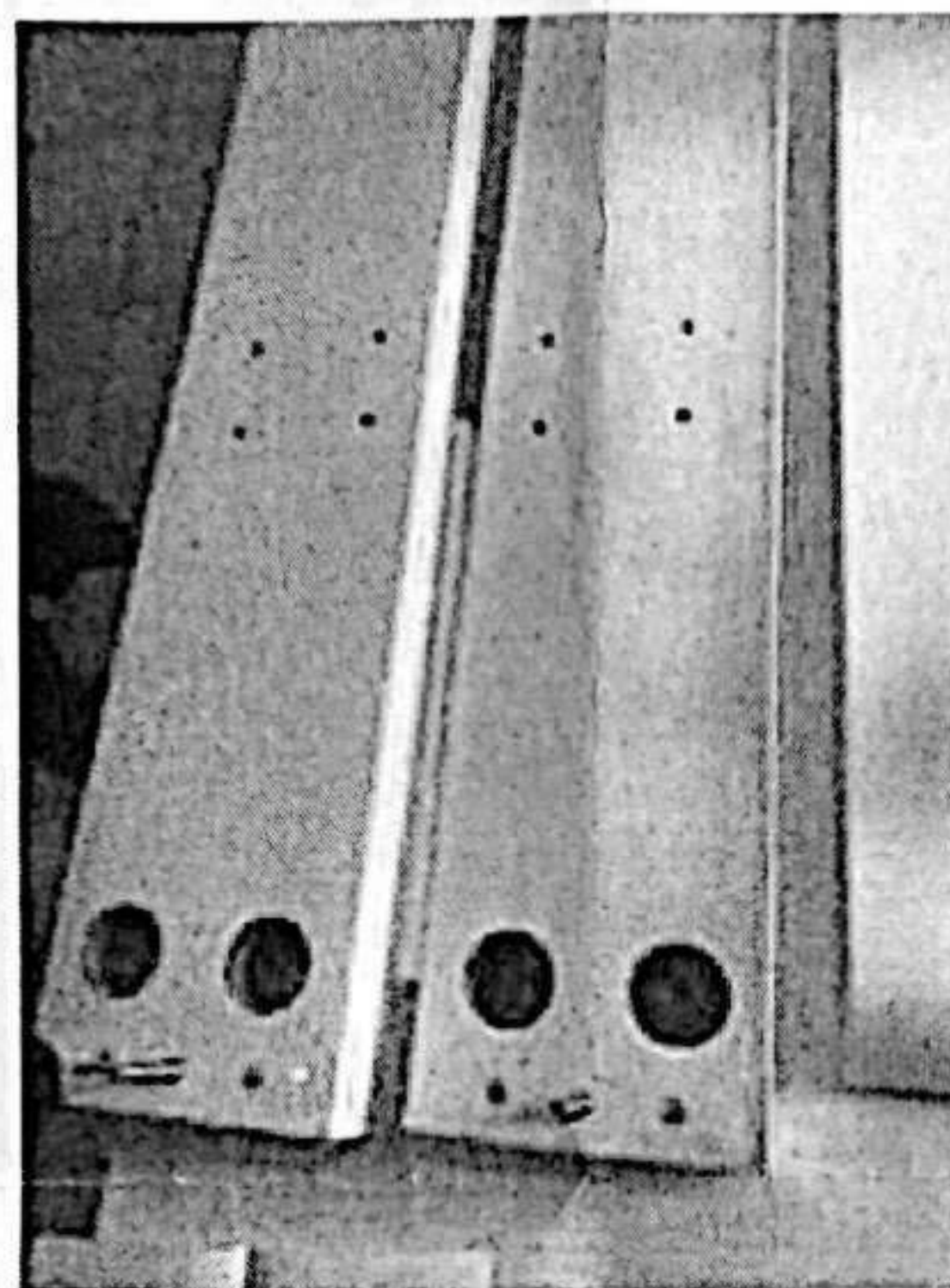
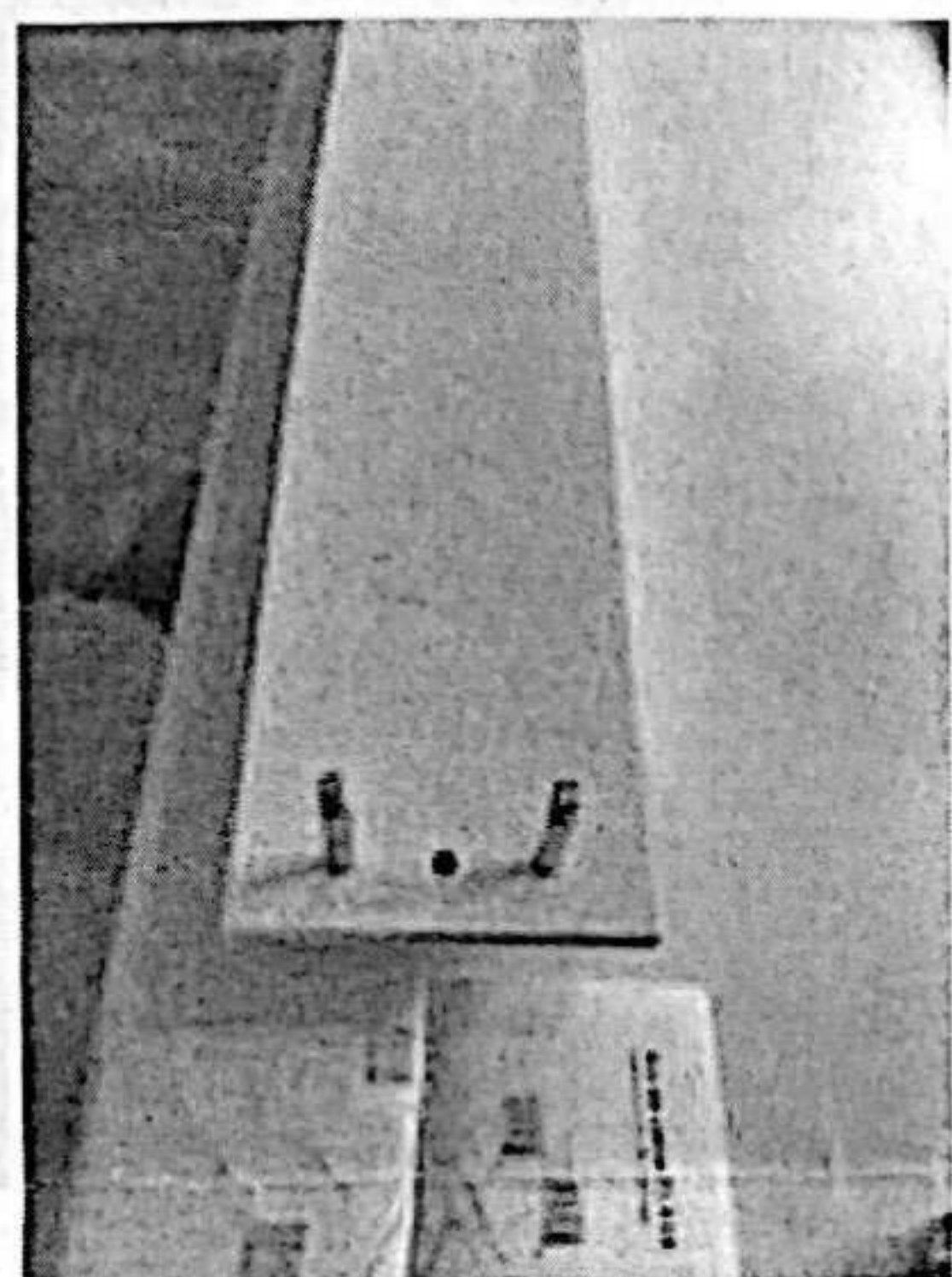


Para medidas de colchón FS, QS o 160
For mattress measures FS, QS or 160

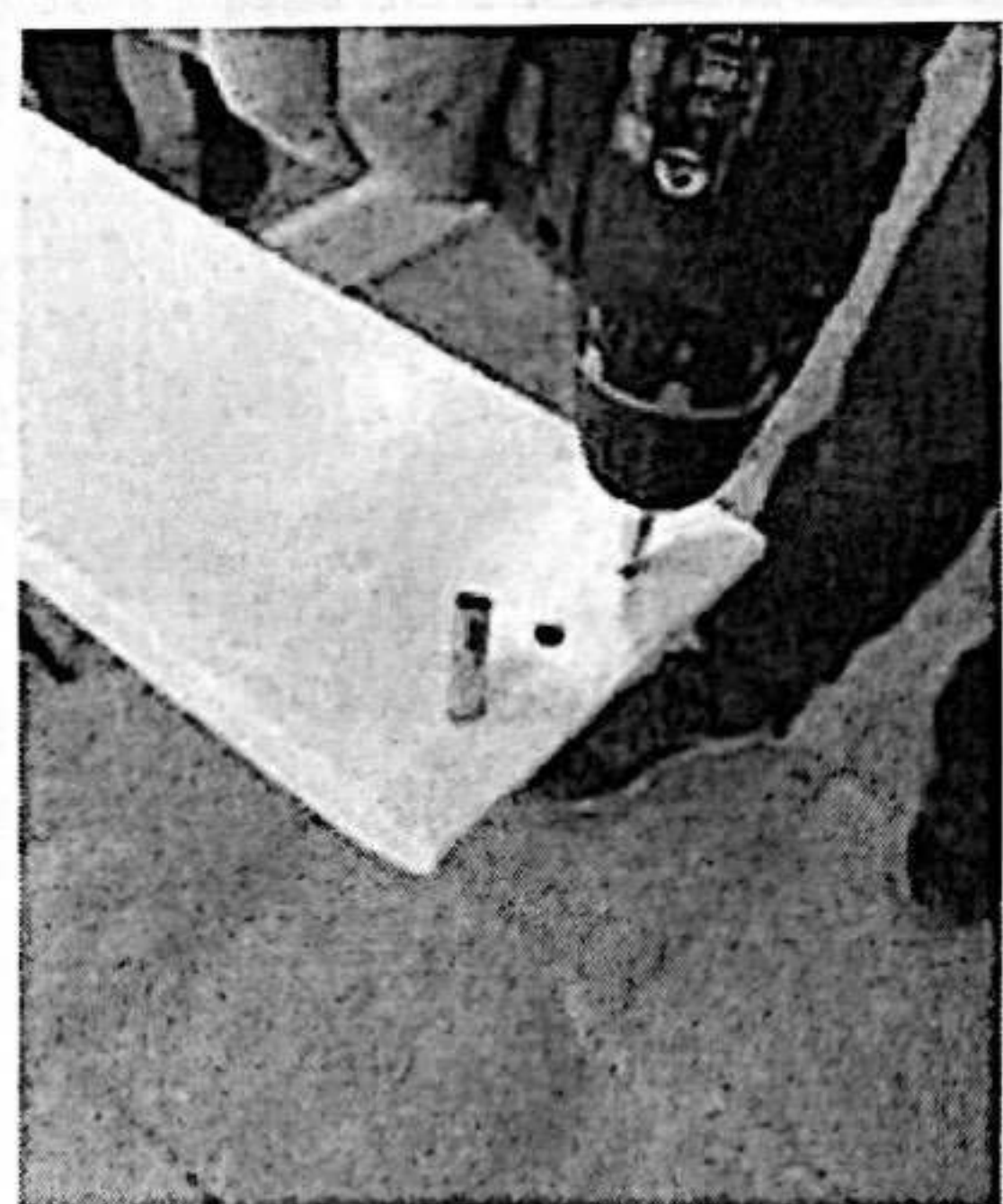




CONTENTS OF THE BEDFRAME BOX

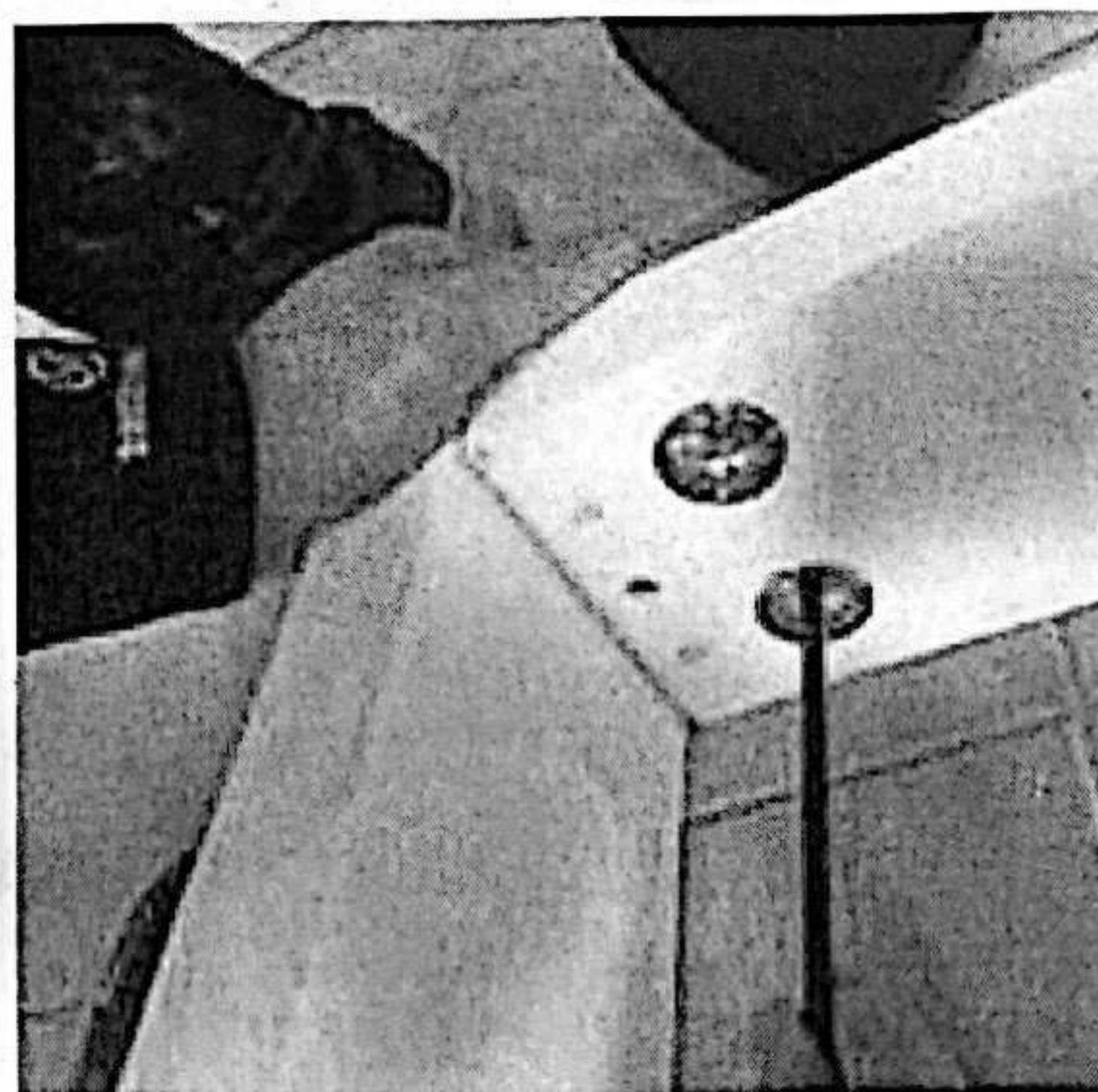
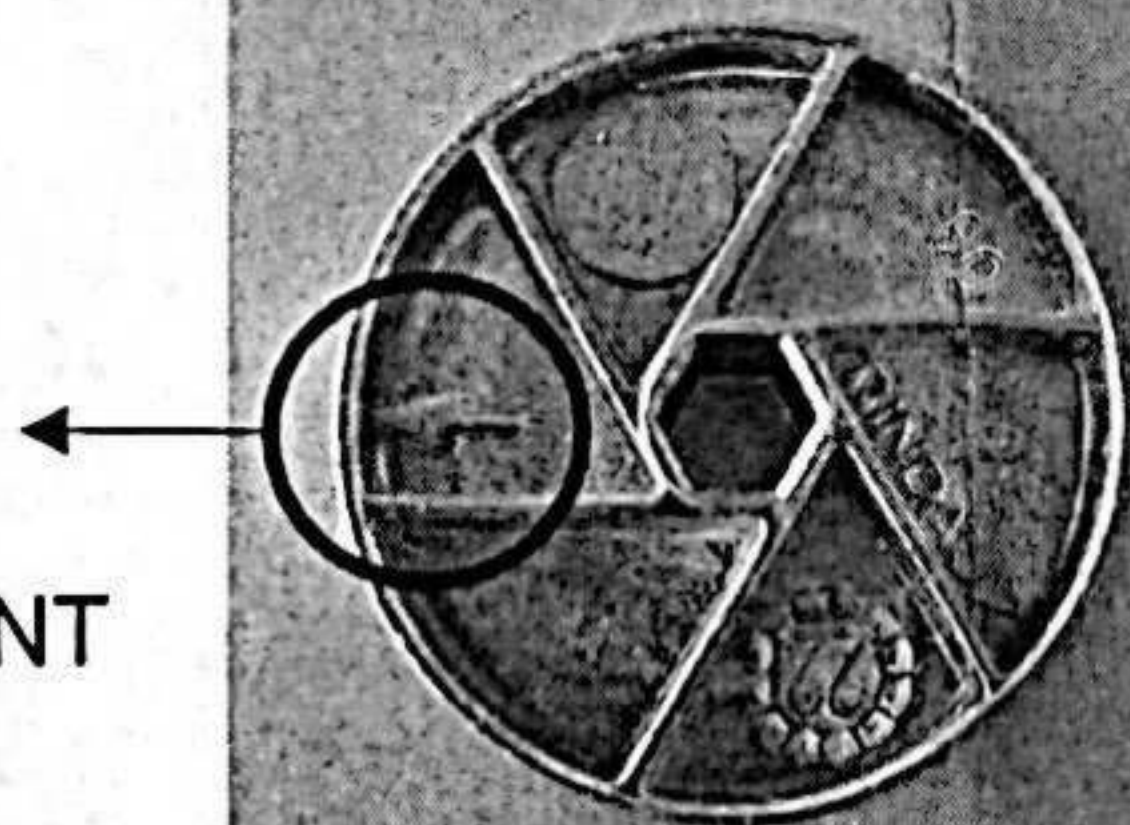


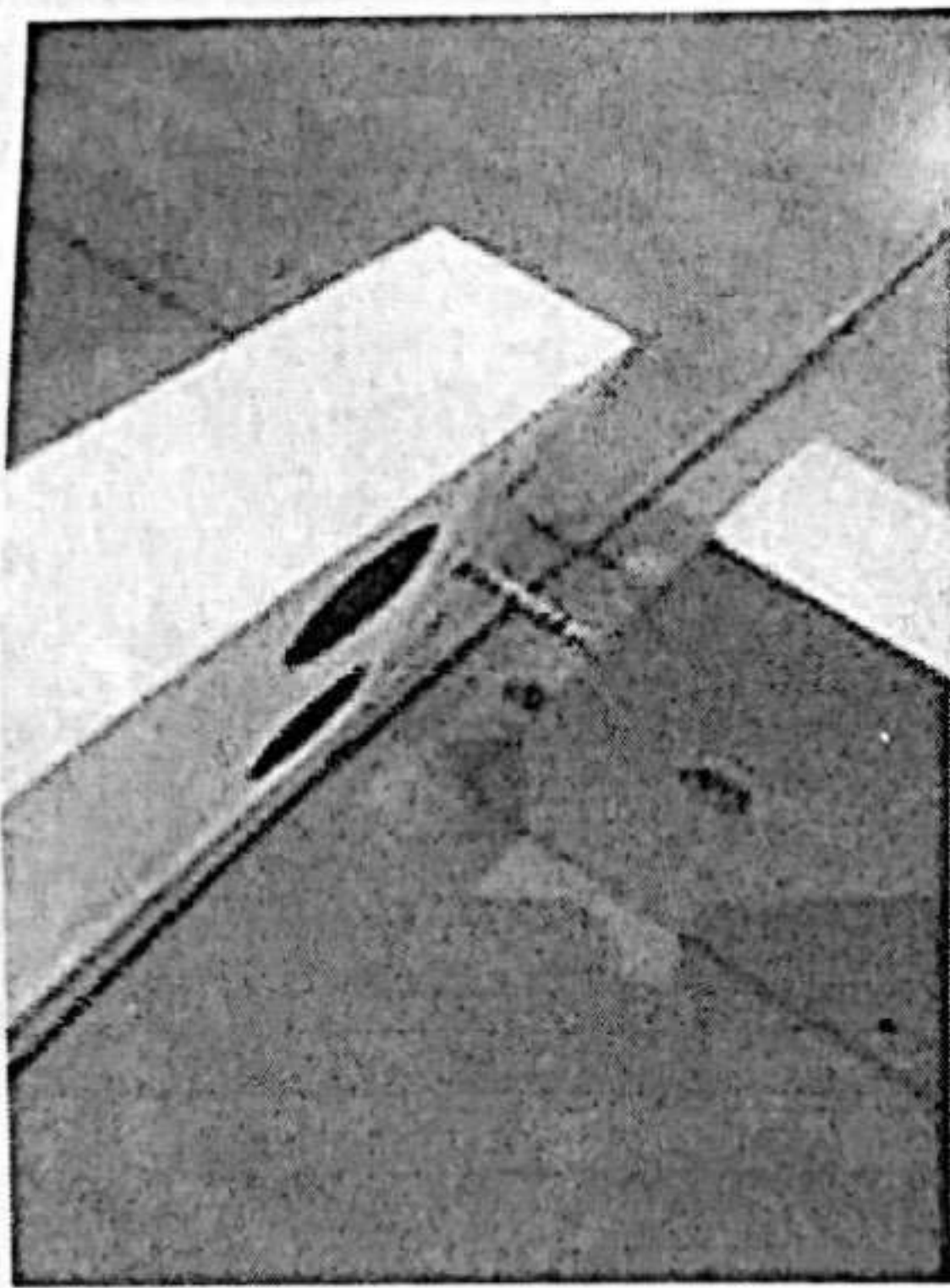
PLACE THE FITTINGS IN THE FOOT BOARD AND BOTH SIDERAILS



VERY IMPORTANT!!!!

PLACE THE FITTING WITH THE ARROW POINTING THE FOOTBOARD THAT HAS TO BE JOINT

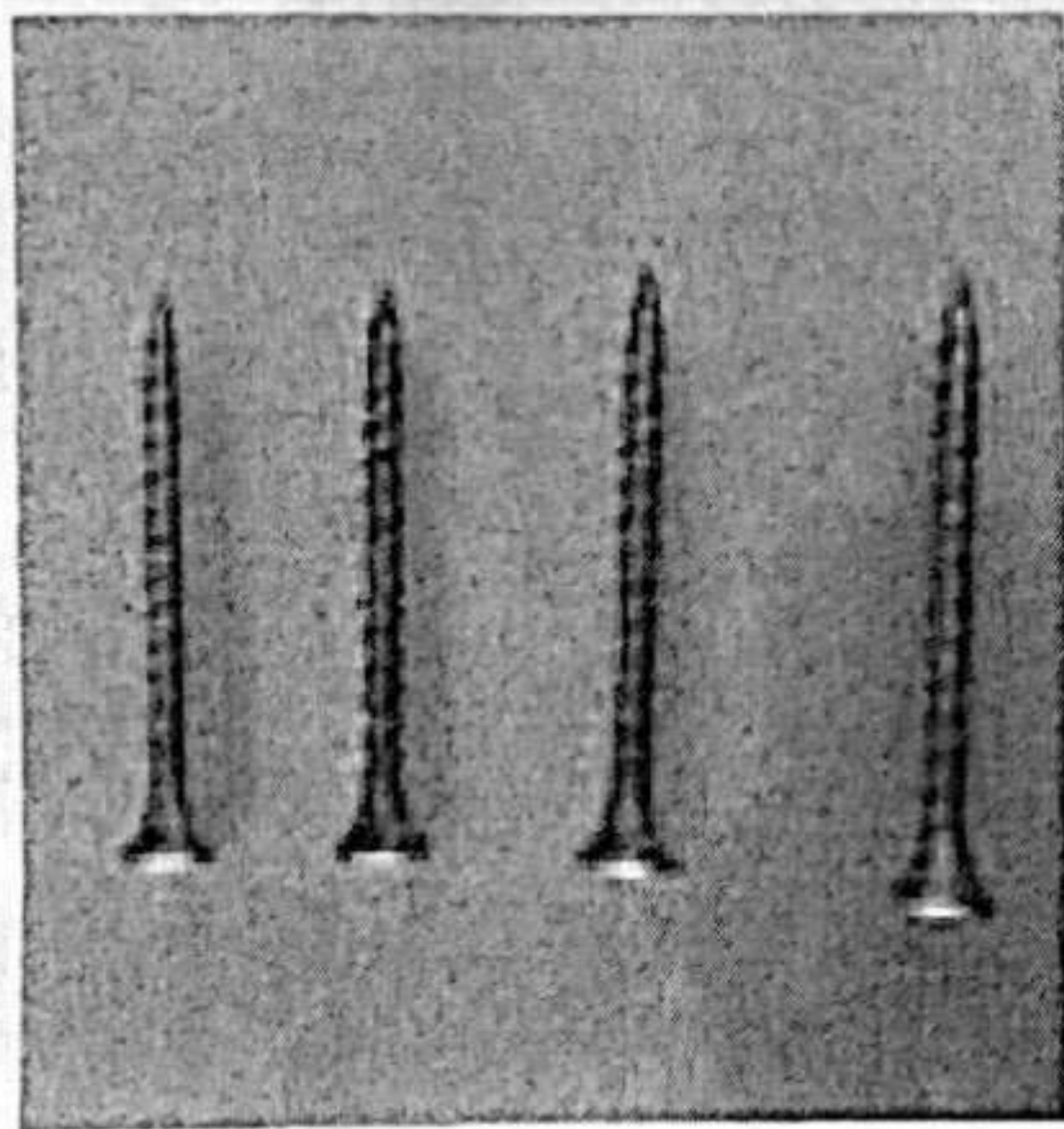




UNION BETWEEN SIDERAILS
WITH INTERIOR FOOTBOARD



ASSEMBLY METALLIC CROSSBARS
WITH SIDERAILS



FINALLY SCREW THROUGH
INTERIOR FOOTBOARD THE
BEDFRAME TO THE
HEADBOARD

