



IMPORTANT
ASSEMBLING THIS
UNIT NEEDS
MINIMUM 2 PEOPLE

LEGEND

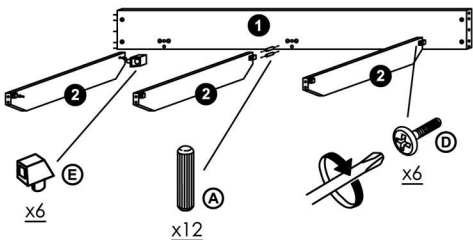
- 1 Side Rails
- 2 Crosspieces
- 3 Footboard
- 4 Under Headboard
- 5 Headboard

FITTINGS CHECK LIST

(A)	Wooden Dowels	x 24
(B)	Cams	x 8
(C)	Pins	x 8
(D)	Screws TBL 4MA	x 6
(E)	Cams for TBL 4MA	x 6
(F)	Screws TBL 6MA	x 18
(G)	Screws TSP 4x50	x 4

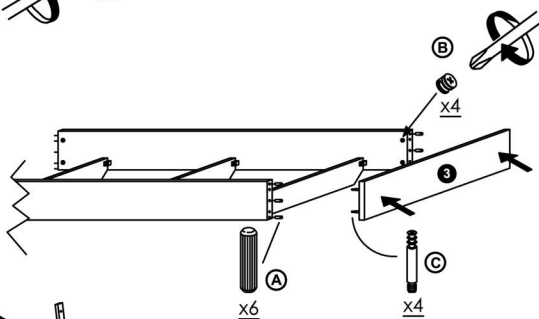
Model **MEDEA Bedroom**
Code **MEBVOLTO1 / 02 / 03 / 04**
Item **Bed**

100% made in Italy

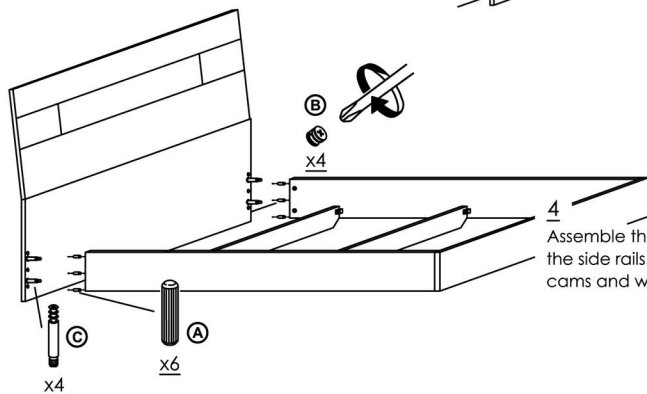
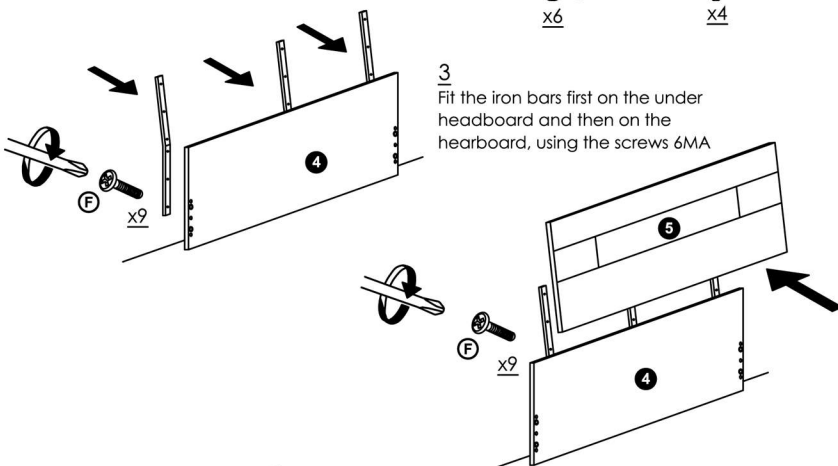


1
Fit the slat supports
to the side rails

2
Assemble the footboard,
using the pins, cams and
wooden dowels

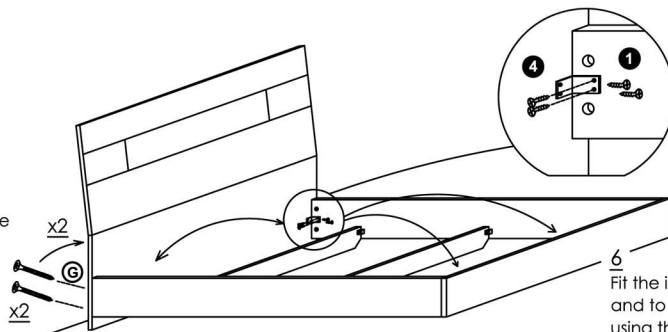


3
Fit the iron bars first on the
under headboard and then on the
headboard, using the screws 6MA



4
Assemble the headboard to
the side rails. Using the pins,
cams and wooden dowels

5
Fix the underheadboard on the
siderails using screws TSP 4x50



6
Fit the iron corner on the side rails
and to the under headboard,
using the screws TSP 4x16