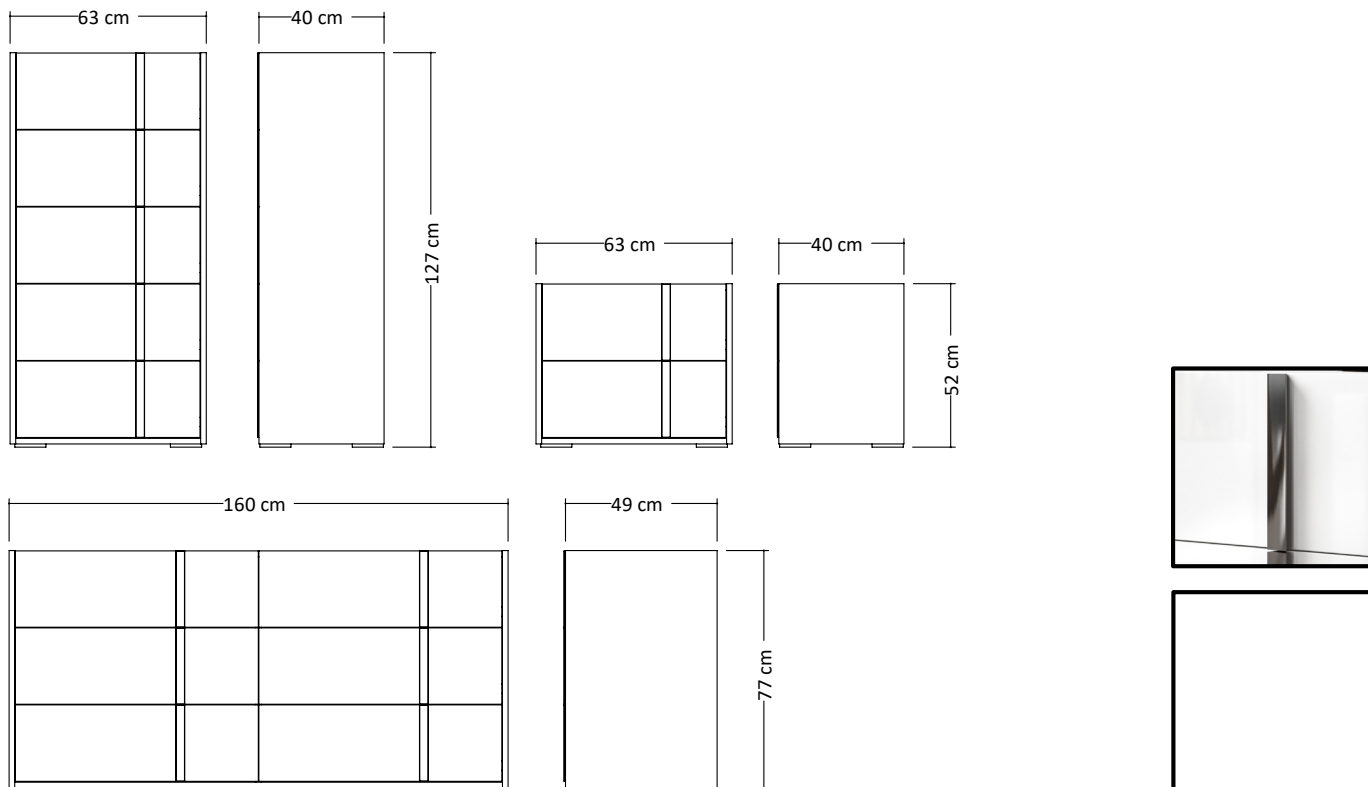


NIGHT TABLE, DRESSER, CHEST OF DRAWERS

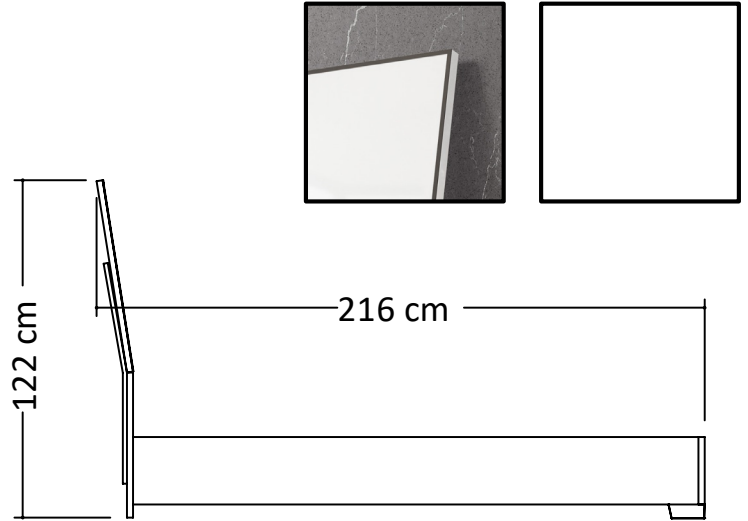
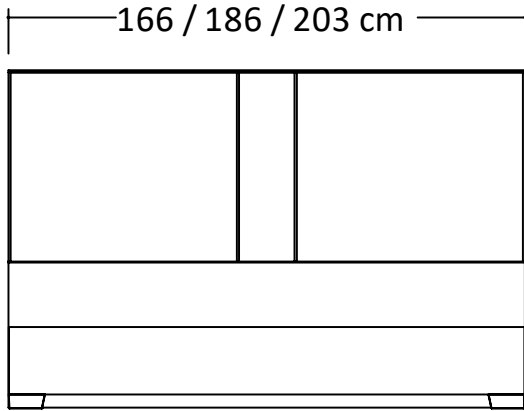


| | |
|--------------------|--|
| Top | 18mm thick, engineered wood panel covered with low-pressure laminate (LPL) White color finish, high gloss acrylic lacquer. 1mm thick, ABS edges |
| Bottom | 18mm thick, engineered wood panel covered with low-pressure laminate (LPL) White color finish. 1mm thick, ABS edges |
| Side panels | 18mm thick, engineered wood panel covered with low-pressure laminate (LPL) White color finish, high gloss acrylic lacquer. 1mm thick, ABS edges |
| Back panel | 3mm thick, double-sided laminated MDF |
| Drawers | <ul style="list-style-type: none"> • Front: 18mm thick, engineered wood panel covered with low-pressure laminate (LPL) White color finish, high gloss acrylic lacquer. 1mm thick, ABS edges • Inside: 12mm thick, engineered wood panel covered with low-pressure laminate (LPL) Textured finish. Folding system • Bottom: 4mm thick, double-sided laminated MDF • Metal sliding guides with soft closing system |
| Handles | ABS, Black Chrome color |
| Feet | Fiberglass ABS. Black Chrome color. H.10mm |

Cleaning:

- Please use a damp cloth and mild liquid detergent.
- Do not use abrasive sponges that can flatten the surfaces. Please use a soft cloth.
- Do not use powder detergent or abrasive products, bleach or highly chlorinated substances, acids and strong bases.

BED QS/180/KS

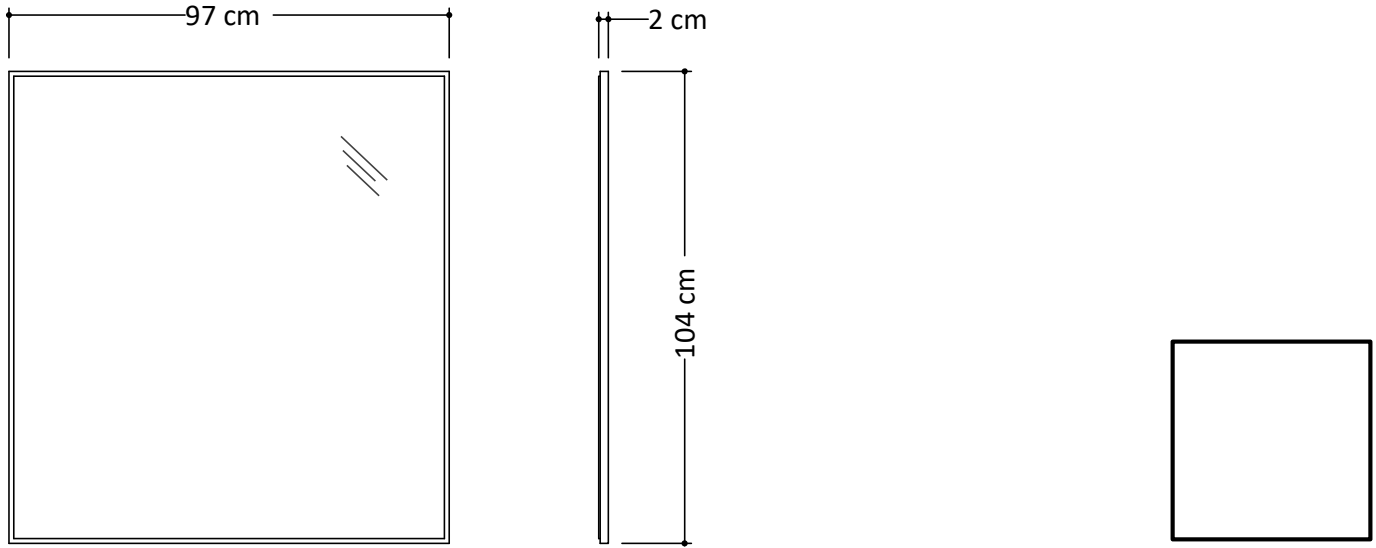


| | |
|------------------------------|--|
| Siderails / Footboard | 22mm thick, engineered wood panel covered with low-pressure laminate (LPL) White color finish, high gloss acrylic lacquer. 1mm thick, ABS edges |
| Headboard | <ul style="list-style-type: none"> • 22mm thick, engineered wood panel covered with low-pressure laminate (LPL) White color finish, high gloss acrylic lacquer. 1mm thick, ABS edges • ABS strip 2x8mm. Black chrome color |
| Feet | Fiberglass ABS. Black Chrome color. H. 50mm |

Cleaning:

- *Please use a damp cloth and mild liquid detergent.*
- *Do not use abrasive sponges that can flatten the surfaces. Please use a soft cloth.*
- *Do not use powder detergent or abrasive products, bleach or highly chlorinated substances, acids and strong bases.*

MIRROR

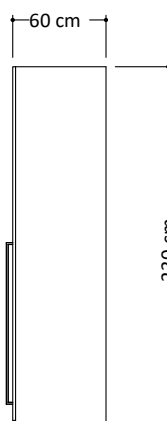
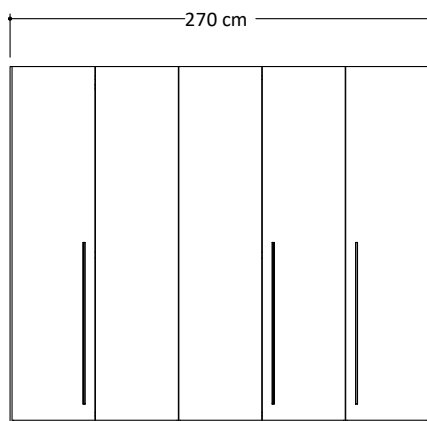
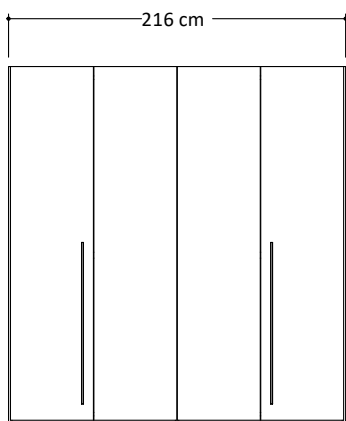
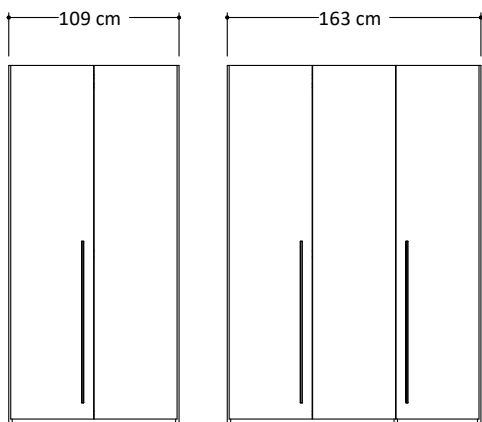


| | |
|---------------|--|
| Panel | 18mm thick, engineered wood panel covered with low-pressure laminate (LPL) White color finish. 1mm thick, ABS edges |
| Mirror | 3mm thick |

Cleaning:

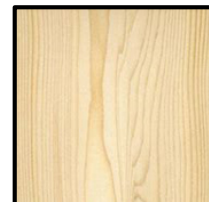
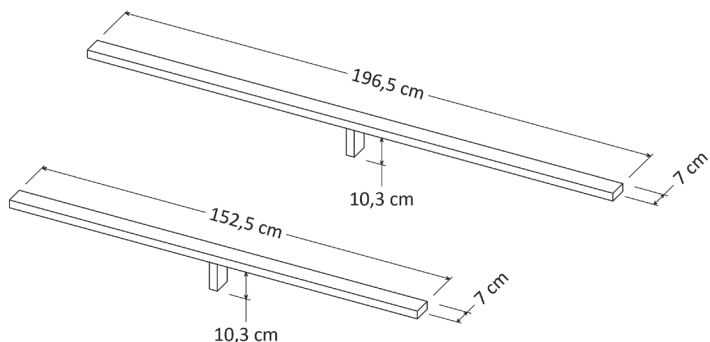
- Please use a damp cloth and mild liquid detergent.
- Do not use abrasive sponges that can flatten the surfaces. Please use a soft cloth.
- Do not use powder detergent or abrasive products, bleach or highly chlorinated substances, acids and strong bases.

WARDROBES



| | |
|-------------------------|---|
| Top | 22mm thick, engineered wood panel covered with low-pressure laminate (LPL) White color finish. 1mm thick, ABS edges |
| Bottom | 22mm thick, engineered wood panel covered with low-pressure laminate (LPL) White color finish. 1mm thick, ABS edges |
| Sides Panels | 22mm thick, engineered wood panel covered with low-pressure laminate (LPL) White color finish, high gloss acrylic lacquer. 1mm thick, ABS edges |
| Divisions | 22mm thick, engineered wood panel covered with low-pressure laminate (LPL) White color finish. 1mm thick, ABS edges |
| Shelves | 28mm thick, engineered wood panel covered with low-pressure laminate (LPL) White color finish. 1mm thick, ABS edges |
| Doors | 18mm thick, engineered wood panel covered with low-pressure laminate (LPL) White color finish, high gloss acrylic lacquer. 1mm thick, ABS edges |
| Mirror for doors | 3mm thick |
| Back Panel | 4mm thick, double-sided laminated MDF |
| Handles | Chromed metal |
| Hinges | Metal, soft closing mechanism. Metal screw covers |
| Feet | Hi-Tech hidden feet, adjustable from inside of the wardrobe |

BED CROSSBARS (Optional)



Material

30mm thick, raw spruce wood

Our furniture is made in compliance with the following regulations:

UNI EN 14749



The standard specifies the safety requirements and test methods for the structures of all types of domestic, kitchen and bathroom storage furniture and their components.

ASTM F2057-19

Standard Safety Specification for Clothing Storage Units

This safety specification is intended to reduce injuries and deaths of children from hazards associated with tip over of clothing storage units, it covers chests, drawer chests, chests of drawers, dressers, and bureaus only.

The procedures for stability testing of the drawer are presented in details. During the test, the unit shall not tip over or be supported only by an opened drawer, opened door, or opened or unopened flap.

| WARNING | |
|--|---|
|  | <p>Children have died from furniture tipover. To reduce the risk of furniture tipover:</p> <ul style="list-style-type: none">• ALWAYS install tipover restraint provided.• NEVER put a TV on this product.• NEVER allow children to stand, climb or hang on drawers, doors, or shelves.• NEVER open more than one drawer at a time.• Place heaviest items in the lowest drawers. |
|  | <p>This is a permanent label. Do not remove!</p> |