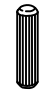







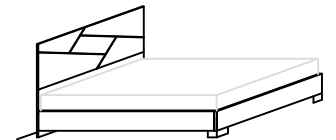
# DAFNE

## LEGEND

- ① Side Rails
- ② Crosspieces
- ③ Footboard
- ④ Under Headboard
- ⑤ Headboard

## FITTINGS CHECK LIST

- (A)  Wooden Dowels x 24
- (B)  Cams x 8
- (C)  Pins x 8
- (D)  Screws TBL 4MA x 6
- (E)  Cams for TBL 4MA x 6
- (F)  Screws TBL 6MA x 18

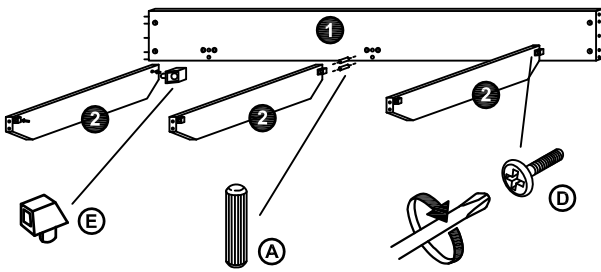


Model	DAFNE Bedroom
Code	DABWH101 / 02 / 03
Item	Bed

**STATUS**  
Italian status symbol

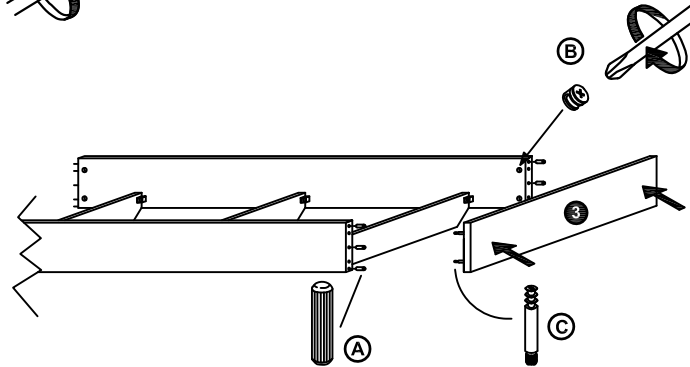
100% made in Italy

IMPORTANT  
ASSEMBLING THIS  
UNIT NEEDS  
MINIMUM 2 PEOPLE

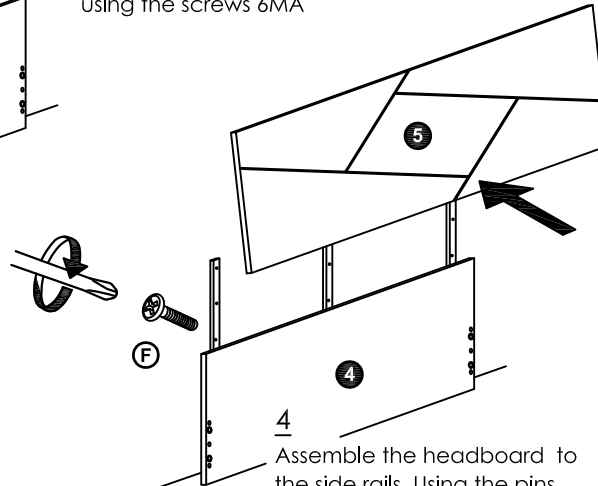
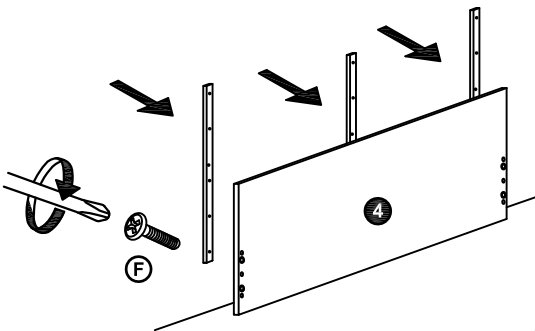


1  
Fit the slat supports to the side rail, using the screws 4MA

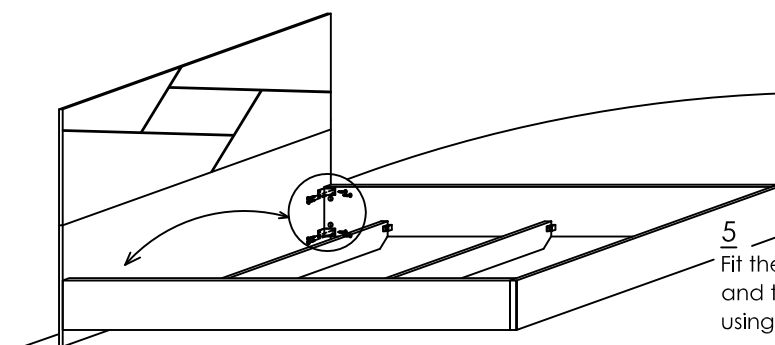
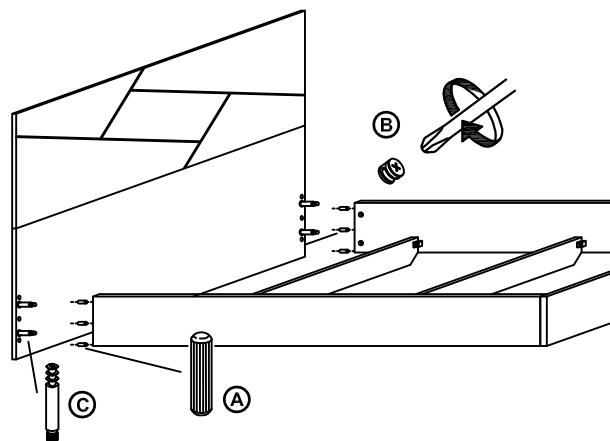
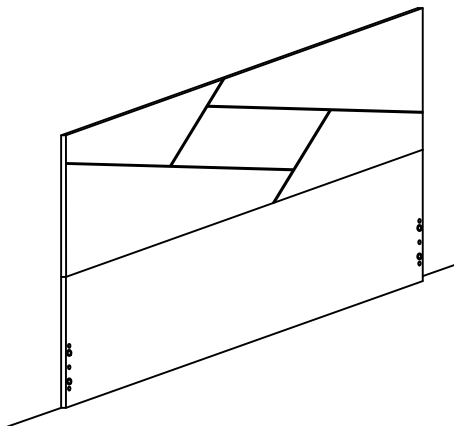
2  
Assemble the other side rail on the slat supports and assemble the footboard, using the pins, cams and wooden dowels



3  
Fit the iron bars first on the under headboard and then on the headboard, using the screws 6MA



4  
Assemble the headboard to the side rails. Using the pins, cams and wooden dowels



5  
Fit the iron corner on the side rails and to the under headboard, using the screws TSP 4x20

